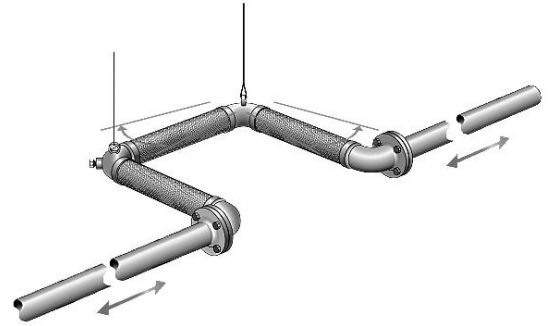
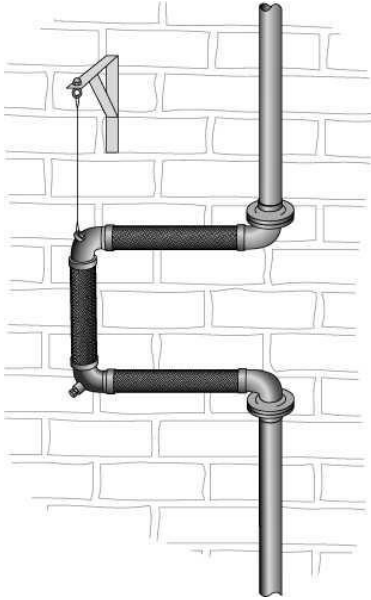


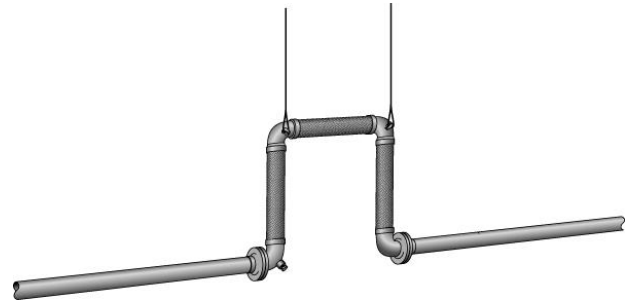
Horizontal Pipe Run with Vertical *Tri-Flex Loop®
 Typical installation requires no further support of the *Tri-Flex Loop



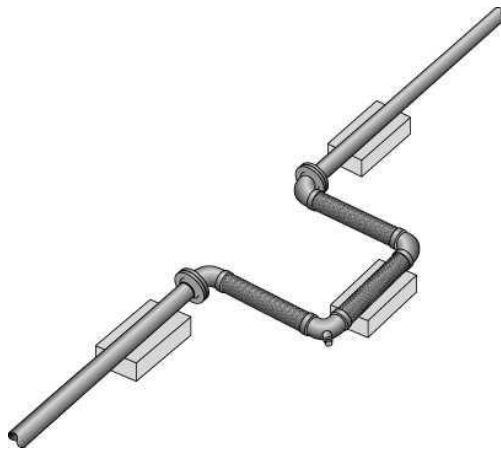
Horizontal Pipe Run and *Tri-Flex Loop®
 The *Tri-Flex Loop requires support at both elbow lugs with cable or other such device to carry the weight of the *Tri-Flex Loop and the media conveyed.



Vertical Pipe Run and *Tri-Flex Loop®
 The *Tri-Flex Loop requires support at the upper elbow lug with cable or other such device to carry the weight of the *Tri-Flex Loop and the media conveyed.



Horizontal Pipe Run and Inverted *Tri-Flex Loop®
 The *Tri-Flex Loop requires support at both elbow lugs with cable or other such device to carry the weight of the *Tri-Flex Loop and the media conveyed.



Horizontal Pipe Run and *Tri-Flex Loop® on Floor
 The *Tri-Flex Loop requires elevated support to allow free movement from the floor. SPECIAL NOTE: The support under the non-parallel leg must be of a non-abrasive material to prevent damage to the braided hose of the *Tri-Flex Loop