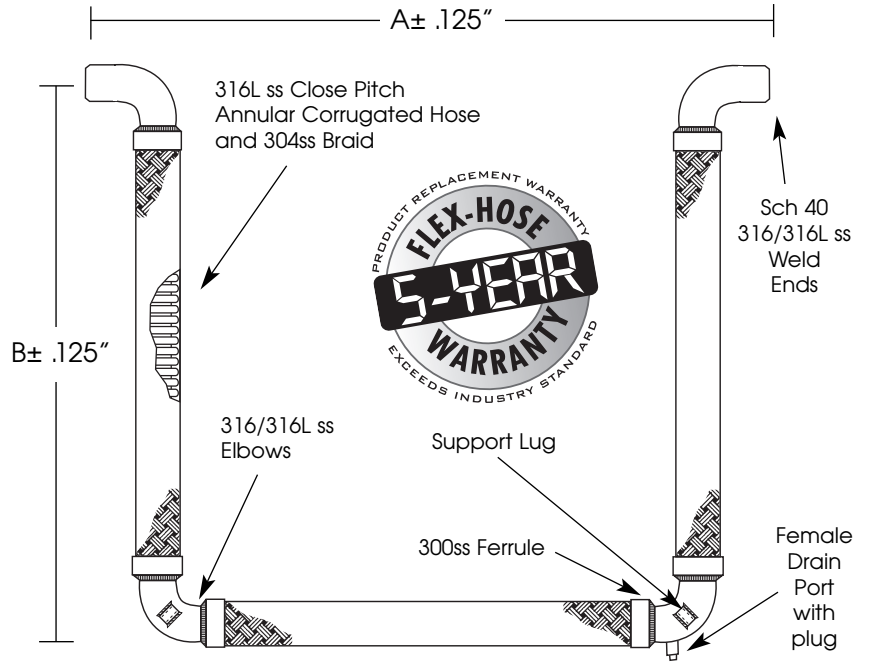
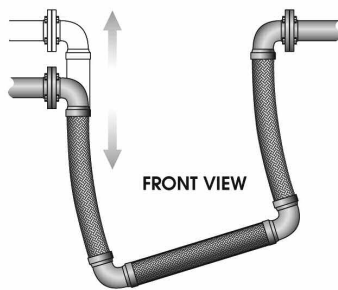
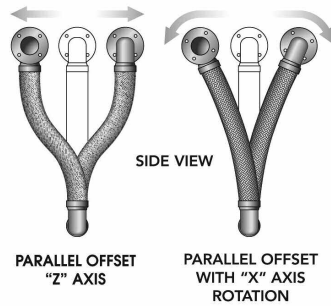
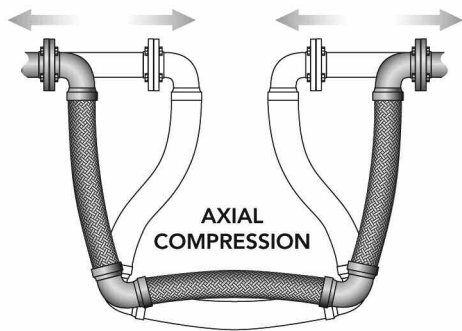


Tri-Flex Loop® Expansion Loops & Seismic Connectors

Movement Capabilities



| Qty | I.D. (in.) | Dimensions | | Pressure (PSI) | | Movement Capability | | | | | Drain Port (in.) | Wt. (lb.) | Notes |
|-----|------------|------------|-----------|----------------|----------|---------------------|-----------------|----------------|--------------------------|-----------------------------|------------------|-----------|-------|
| | | "A" (in.) | "B" (in.) | @ 70° F | @ 200° F | Compression (in.) | Extension (in.) | Parallel (in.) | Rotation "X" Axis (Deg.) | Non-Parallel "Y" Axis (in.) | | | |
| | ½ | 25.00 | 18.00 | 1100 | 1012 | 4.0 | 4.0 | 4.0 | 35° | 2.0 | ¼" | 3 | |
| | ¾ | 24.75 | 18.50 | 800 | 736 | 4.0 | 4.0 | 4.0 | 35° | 2.0 | ¼" | 4 | |
| | 1.0 | 28.75 | 20.50 | 750 | 690 | 4.0 | 4.0 | 4.0 | 30° | 2.0 | ½" | 6 | |
| | 1.25 | 31.38 | 22.50 | 725 | 667 | 4.0 | 4.0 | 4.0 | 25° | 2.0 | ½" | 8 | |
| | 1.5 | 35.00 | 24.50 | 565 | 519 | 4.0 | 4.0 | 4.0 | 25° | 2.0 | ½" | 12 | |
| | 2.0 | 40.00 | 28.25 | 500 | 460 | 4.0 | 4.0 | 4.0 | 20° | 2.0 | ½" | 17 | |
| | 2.5 | 44.00 | 31.00 | 400 | 368 | 4.0 | 4.0 | 4.0 | 20° | 2.0 | ¾" | 28 | |
| | 3.0 | 49.25 | 34.00 | 285 | 262 | 4.0 | 4.0 | 4.0 | 15° | 2.0 | ¾" | 38 | |
| | 4.0 | 57.75 | 40.00 | 250 | 230 | 4.0 | 4.0 | 4.0 | 10° | 2.0 | ¾" | 65 | |
| | 5.0 | 71.25 | 51.00 | 200 | 184 | 4.0 | 4.0 | 4.0 | 10° | 2.0 | ¾" | 117 | |
| | 6.0 | 78.00 | 54.25 | 220 | 202 | 4.0 | 4.0 | 4.0 | 5° | 2.0 | ¾" | 166 | |
| | 8.0 | 95.00 | 63.25 | 200 | 184 | 4.0 | 4.0 | 4.0 | 5° | 2.0 | ¾" | 302 | |
| | 10.0 | 115.00 | 74.38 | 200 | 184 | 4.0 | 4.0 | 4.0 | 3° | 2.0 | ¾" | 520 | |
| | 12.0 | 132.00 | 84.38 | 160 | 147 | 4.0 | 4.0 | 4.0 | 3° | 2.0 | ¾" | 752 | |

Working pressures shown for the hose and braid are based on an operating temperature of 70°F (21°C) with a 4:1 safety factor.



This product is listed by IAPMO R&T under file #N-7208 for NSF/ANSI 61 and file 7207 for California Lead Plumbing Law and NSF/ANSI-372. Our listed products can be viewed on IAPMO R&T's Web listing at <http://pld.iapmo.org>



CSA standard B-51 certified. Inspected and tested by the Technical Standards and Safety Authority of Canada.



APPROVED

For Fire Protection Systems

| | |
|----------------|--|
| PROJECT | |
| CUSTOMER | |
| ENGINEER | |
| REPRESENTATIVE | |
| DRAWING # | |



4560 Buckley Road • Liverpool, NY USA 13088-2509
315/437-1611 • Fax 315/437-1903
www.flexhose.com • 1.877.TRI FLEX

EXPANSION LOOPS AND SEISMIC CONNECTORS

TFL4SSWN6 ½"-12" I.D.