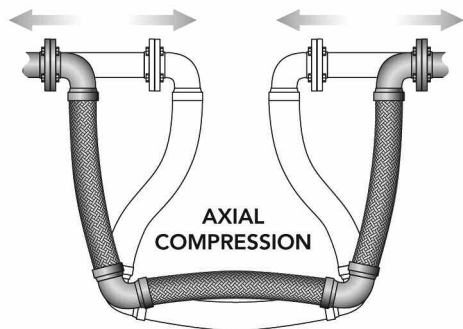
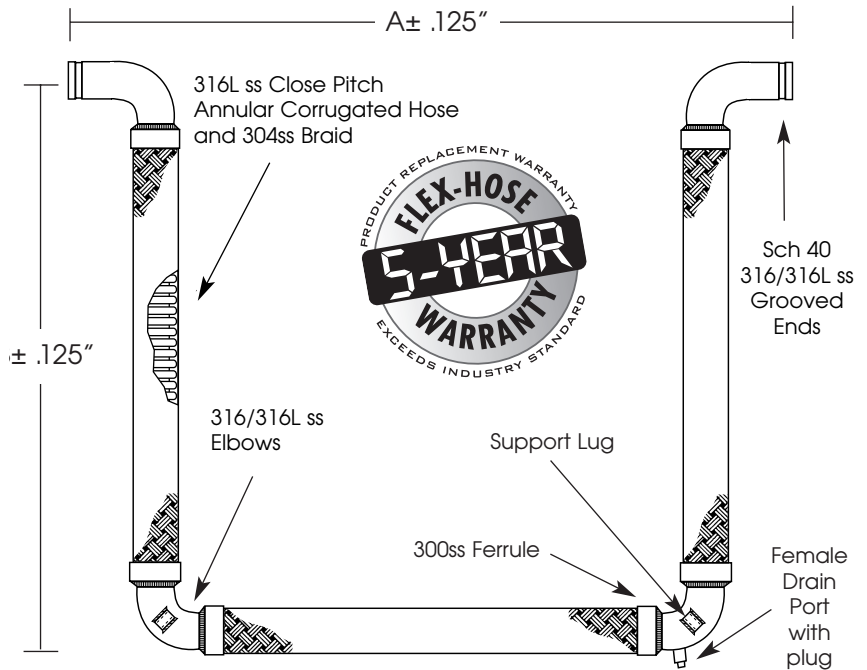
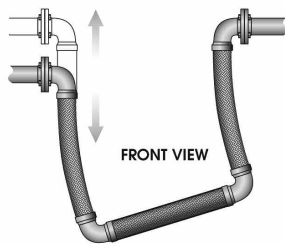
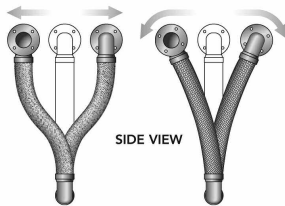


# Tri-Flex Loop® Expansion Loops & Seismic Connectors

## Movement Capabilities



AXIAL EXTENSION  
FRONT VIEW



Qty	I.D. (in.)	Dimensions		Pressure (PSI)		Movement Capability					Drain Port (in.)	Wt. (lb.)	Notes
		"A" (in.)	"B" (in.)	@ 70° F	@ 200° F	Compression (in.)	Extension (in.)	Parallel (in.)	Rotation "X" Axis (Deg.)	Non-Parallel "Y" Axis (in.)			
	1.0	21.00	15.75	750	690	2.0	2.0	2.0	20°	1.0	½"	6	
	1.5	27.00	19.50	565	519	2.0	2.0	2.0	15°	1.0	½"	11	
	2.0	31.00	22.25	500	460	2.0	2.0	2.0	10°	1.0	½"	15	
	2.5	35.00	25.00	400	368	2.0	2.0	2.0	10°	1.0	¾"	27	
	3.0	39.25	28.00	285	262	2.0	2.0	2.0	10°	1.0	¾"	37	
	4.0	48.75	33.00	250	230	2.0	2.0	2.0	5°	1.0	¾"	64	
	5.0	61.50	41.25	200	184	2.0	2.0	2.0	5°	1.0	¾"	105	
	6.0	67.75	45.00	220	202	2.0	2.0	2.0	3°	1.0	¾"	154	
	8.0	82.00	53.25	200	184	2.0	2.0	2.0	ON APPLICATION	1.0	¾"	278	
	10.0	99.00	63.38	200	184	2.0	2.0	2.0	ON APPLICATION	1.0	¾"	487	
	12.0	113.00	72.38	160	147	2.0	2.0	2.0	ON APPLICATION	1.0	¾"	700	

Working pressures shown for the hose and braid are based on an operating temperature of 70°F (21°C) with a 4:1 safety factor.

NSF/ANSI 61  
IAPMO R&T

This product is listed by IAPMO R&T under file #N-7208 for NSF/ANSI 61 and file 7207 for California Lead Plumbing Law and NSF/ANSI-372. Our listed products can be viewed on IAPMO R&T's Web listing at <http://pld.iapmo.org>

CSA standard B-51 certified. Inspected and tested by the Technical Standards and Safety Authority of Canada.



APPROVED

For Fire Protection Systems

PROJECT	
CUSTOMER	
ENGINEER	
REPRESENTATIVE	
DRAWING #	



4560 Buckley Road • Liverpool, NY USA 13088-2509  
315/437-1611 • Fax 315/437-1903  
[www.flexhose.com](http://www.flexhose.com) • 1.877.TRI FLEX