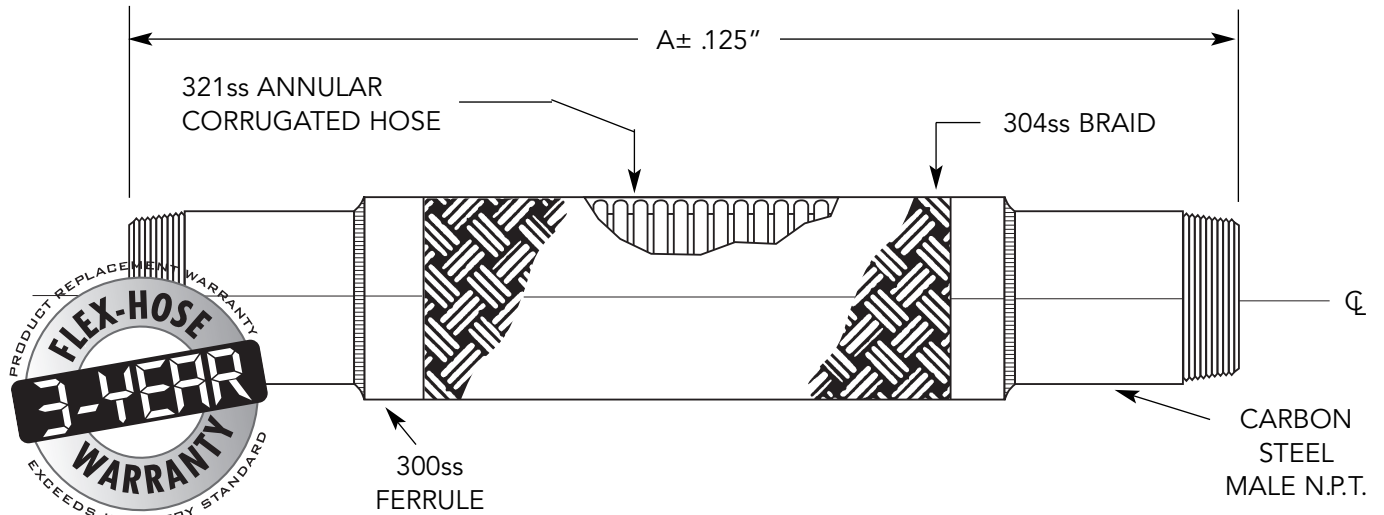


# Pumpsaver® Braided Pump Connectors



FOR TEMP ABOVE 70°F	
TEMP °F	FACTOR S.S.
70	1.00
200	.94
300	.88
400	.83
500	.78
600	.74

QTY	I.D. (In.)	A (In.)	*Pressure (PSI) @ 70°F	NOTES
	.50		1100	
	.75		800	
	1.00		750	
	1.25		725	
	1.50		565	
	2.00		500	
	2.50		400	
	3.00		285	
	4.00		250	

\*For safe working pressure above 70°F, multiply pressure shown at 70°F times correction factor of required temp.

\*Working pressures shown for the hose and braid are based on an operating temperature of 70°F (21°C) with a 4:1 safety factor.

END FITTING OPTIONS: SCH'D 40 IPS

SCH'D 80 IPS



CSA standard B-51 certified. Inspected and tested by the Technical Standards and Safety Authority of Canada.



This product is listed by IAPMO R&T under file #N-7208 for NSF/ANSI 61 and file 7207 for California Lead Plumbing Law and NSF/ANSI-372. Our listed products can be viewed on IAPMO R&T's Web listing at <http://pld.iapmo.org>



PROJECT	
CUSTOMER	
ENGINEER	
REPRESENTATIVE	
DRAWING #	

4560 Buckley Road  
 Liverpool, NY USA 13088-2509  
 315/437-1611 • Fax 315/437-1903

[www.flexhose.com](http://www.flexhose.com) • 1.877.METAL EJ

