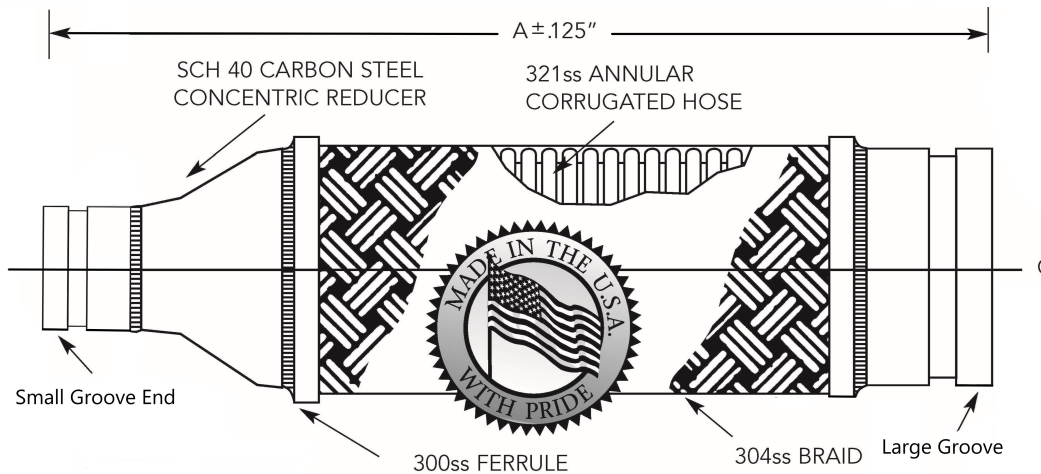


AssureFlex® Braided Pump Connectors for Fire Protection



FOR TEMP ABOVE 70°F	
TEMP °F	FACTOR S.S.
70	1.00
200	.94
300	.88
400	.83
500	.78
600	.74

QTY	Small Groove (in.)	Large Groove & Hose (in.)	A (in.)	Pressure (PSI) @70° F	Lateral Offset (in.)		Weight (lb.)	Notes
					Lateral (in.)	Intermittent (in.)		
	2.50	4.00	16.75	300	1/2	1/4	12	
	3.00	4.00	16.75	300	1/2	1/4	13	
	3.00	5.00	20.75	300	1/2	1/4	21	
	4.00	5.00	21.75	300	1/2	1/4	23	
	4.00	6.00	23.00	300	1/2	1/4	30	
	5.00	6.00	23.00	300	1/2	1/4	33	

*Working pressures shown for the hose and braid are based on an operating temperature of 70°F (21°C) with a 4:1 safety factor. Provided with two braids.

*For safe working pressure above 70°F, multiply pressure shown at 70°F times correction factor of required temp.



CSA standard B-51 certified. Inspected and tested by the Technical Standards and Safety Authority of Canada.



(Flexible Joint Fitting)

PROJECT	
CUSTOMER	
ENGINEER	
REPRESENTATIVE	
DRAWING #	



4560 Buckley Road
 Liverpool, NY USA 13088-2509
 315/437-1611 • Fax 315/437-1903
www.flexhose.com • 1.877.METAL EJ