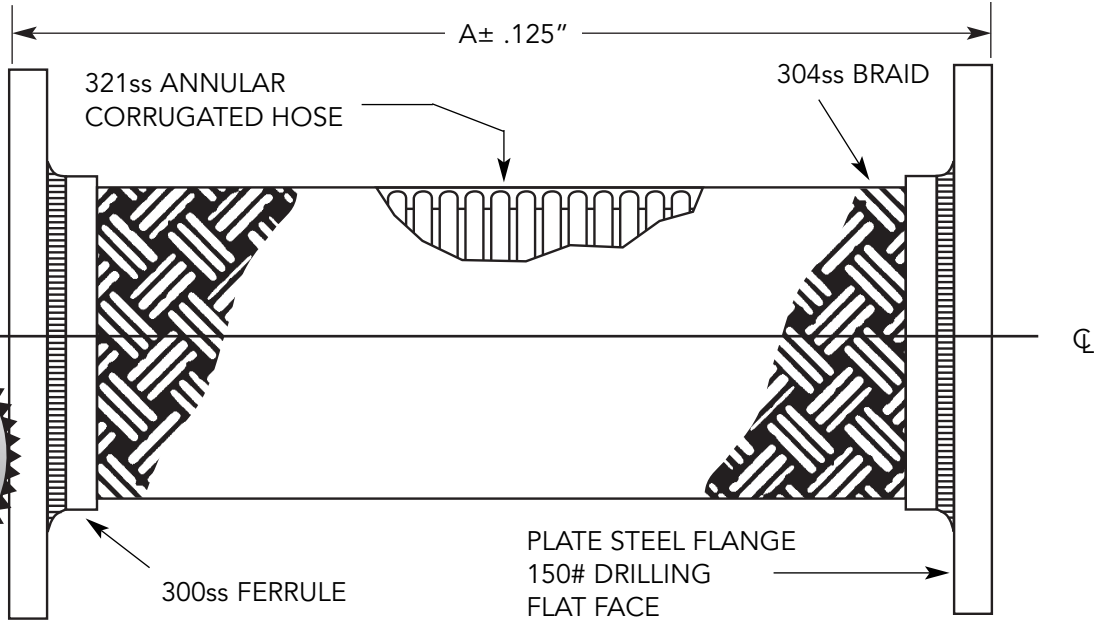


# AssureFlex® Braided Pump Connectors for Fire Protection



FOR TEMP ABOVE 70°F	
TEMP °F	FACTOR S.S.
70	1.00
200	.94
300	.88
400	.83
500	.78
600	.74

QTY	I.D. (in.)	A (in.)	Pressure (PSI) @70° F	Parallel Offset Intermittent (in.)	Weight (lb.)	Notes
	2.00	12.00	300	3/4	10.5	
	2.50	14.00	300	3/4	13	
	3.00	14.00	300	3/4	14.5	
	4.00	16.00	175	3/4	21	
	5.00	18.00	175	3/4	26	
	6.00	20.00	175	3/4	36.5	
	8.00	22.00	175	3/4	64	
	10.00	24.00	175	3/4	90	
	12.00	26.00	175	3/4	129	

\*For safe working pressure above 70°F, multiply pressure shown at 70°F times correction factor of required temp.

\*Working pressures shown for the hose and braid are based on an operating temperature of 70°F (21°C) with a 4:1 safety factor. 8" - 12" hose & braid provided double braided.



CSA standard B-51  
Inspected and tested  
Technical Standard  
Authority of Canada



(Flexible Joint Fitting)

PROJECT	
CUSTOMER	
ENGINEER	
REPRESENTATIVE	
DRAWING #	



4560 Buckley Road  
Liverpool, NY USA 13088-2509  
315/437-1611 • Fax 315/437-1903  
www.flexhose.com • 1.877.METAL EJ