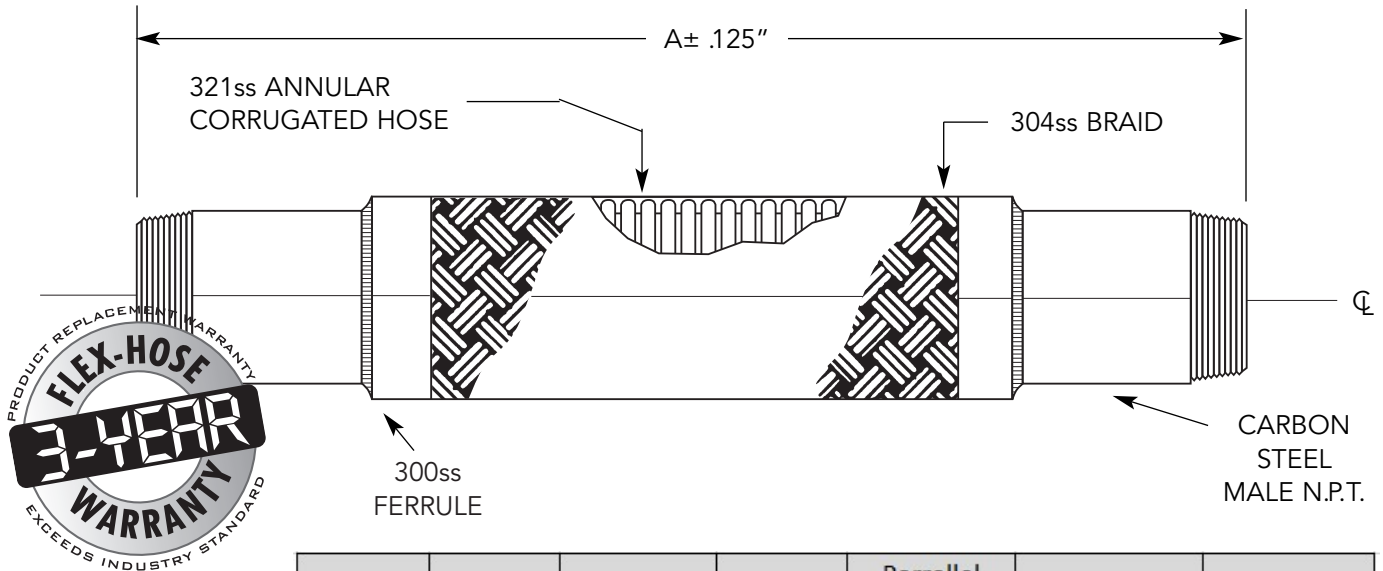


# AssureFlex® Braided Pump Connectors for Fire Protection



FOR TEMP ABOVE 70°F	
TEMP °F	FACTOR S.S.
70	1.00
200	.94
300	.88
400	.83
500	.78
600	.74

\*For safe working pressure above 70°F, multiply pressure shown at 70°F times correction factor of required temp.

QTY	I.D. (in.)	A (in.)	Pressure (PSI) @70° F	Parallel Offset Intermittent (in.)	Weight (lb.)	Notes
	½	12.00	300	¾	1	
	¾	13.00	300	¾	1.75	
	1.00	14.00	300	¾	2	
	1.25	15.00	300	¾	2.75	
	1.50	16.00	300	¾	3	
	2.00	17.00	300	¾	4	
	2.50	18.00	300	¾	6	
	3.00	19.00	300	¾	7	
	4.00	20.00	175	¾	10	

\*Working pressures shown for the hose and braid are based on an operating temperature of 70°F (21°C) with a 4:1 safety factor.



CSA standard B-51 certified. Inspected and tested by the Technical Standards and Safety Authority of Canada.



(Flexible Joint Fitting)

PROJECT	
CUSTOMER	
ENGINEER	
REPRESENTATIVE	
DRAWING #	



4560 Buckley Road  
 Liverpool, NY USA 13088-2509  
 315/437-1611 • Fax 315/437-1903  
 www.flexhose.com • 1.877.METAL EJ

