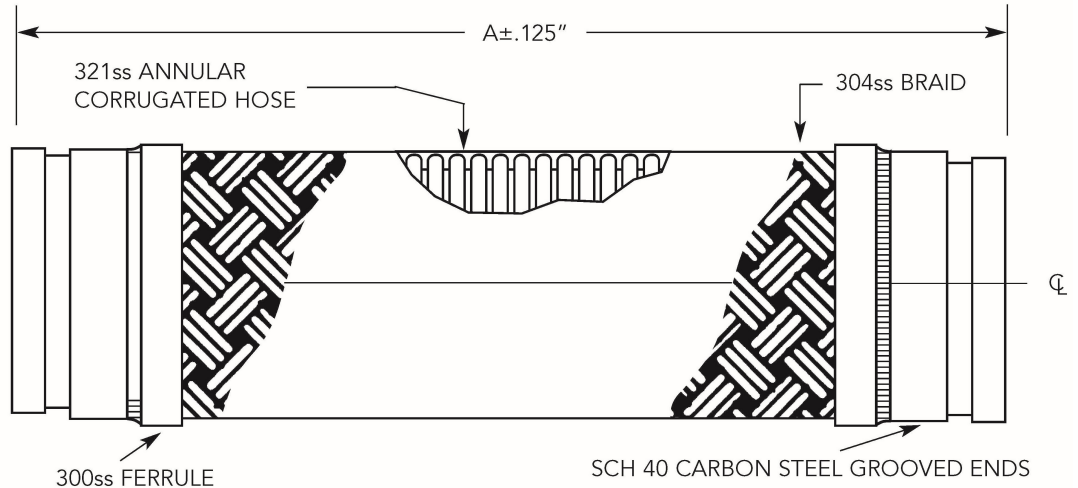


AssureFlex® Braided Pump Connectors for Fire Protection



FOR TEMP ABOVE 70°F	
TEMP °F	FACTOR S.S.
70	1.00
200	.94
300	.88
400	.83
500	.78
600	.74

QTY	I.D. (in.)	A (in.)	Pressure (PSI) @ 70° F	Parallel Offset Intermittent (in.)	Weight (lb.)	Notes
	1.00	19.13	300	2	6.6	
	1.25	19.63	300	2	7	
	1.50	22.13	300	2	8.5	
	2.00	22.38	300	2	9	
	2.50	24.38	300	2	12	
	3.00	25.25	300	2	13	
	4.00	26.75	175	2	17	
	5.00	28.25	175	2	21	
	6.00	30.75	175	2	29	
	8.00	34.75	175	2	47	
	10.00	37.50	175	2	69	
	12.00	40.00	175	2	92	

*For safe working pressure above 70°F, multiply pressure shown at 70°F times correction factor of required temp.

8"-12" ID sizes provided with two braids.

*Working pressures shown for the hose and braid are based on an operating temperature of 70°F (21°C) with a 4:1 safety factor.



CSA standard B-51 certified. Inspected and tested by the Technical Standards and Safety Authority of Canada.



PROJECT	
CUSTOMER	
ENGINEER	
REPRESENTATIVE	
DRAWING #	



4560 Buckley Road
 Liverpool, NY USA 13088-2509
 315/437-1611 • Fax 315/437-1903
 www.flexhose.com • 1.877.METAL EJ

