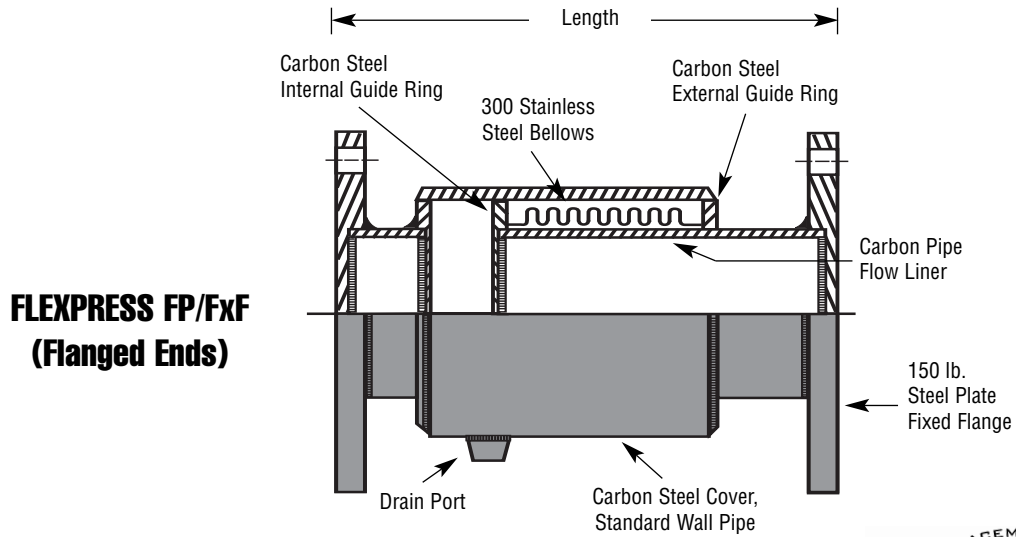


FLEXPRESS EXTERNALLY PRESSURIZED GUIDED EXPANSION JOINTS



**FLEXPRESS FP/FxF
(Flanged Ends)**

FP/150-FxF (Flanged Ends) Design Pressure 110 PSIG Test Pressure 165 PSIG Max Temperature 750°F							
FP/300-FxF (Flanged Ends) Design Pressure 225 PSIG Test Pressure 335 PSIG Max Temperature 750°F							
I.D. (In.)	Length (In.) FP/150-FxF	Length (In.) FP/300-FxF	MOVEMENT CAPABILITY		Wt. (Lbs.)		NOTES
			Compression (In.)	Extension (In.)	FP/150-FxF	FP/300-FxF	
2.00	25.50	25.75	4.00	.75	44.00	49.00	
	34.50	34.75	6.00	1.12	56.00	63.00	
	41.50	41.75	8.00	1.50	65.00	72.00	
2.50	25.50	25.75	4.00	.75	51.00	56.00	
	34.50	34.75	6.00	1.12	65.00	73.00	
	41.50	41.75	8.00	1.50	75.00	84.00	
3.00	24.50	24.75	4.00	.75	63.00	75.00	
	31.00	31.25	6.00	1.12	74.00	87.00	
	39.50	39.75	8.00	1.50	91.00	106.00	
4.00	25.75	25.75	4.00	.75	99.00	121.00	
	32.50	32.50	6.00	1.12	117.00	141.00	
	41.25	41.25	8.00	1.50	144.00	170.00	
5.00	24.00	24.50	4.00	.75	128.00	158.00	
	30.00	30.75	6.00	1.12	149.00	181.00	
	36.25	36.75	8.00	1.50	171.00	203.00	
6.00	24.00	25.25	4.00	.75	144.00	190.00	
	30.25	31.25	6.00	1.12	167.00	214.00	
	36.25	37.50	8.00	1.50	191.00	239.00	
8.00	25.25	26.75	4.00	.75	228.00	295.00	
	32.00	33.50	6.00	1.12	265.00	336.00	
	38.50	40.00	8.00	1.50	302.00	377.00	
10.00	26.75	28.50	4.00	1.00	306.00	396.00	
	34.00	35.75	6.00	1.50	358.00	452.00	
	43.25	44.75	8.00	2.00	434.00	534.00	
12.00	28.00	30.50	4.00	1.00	400.00	540.00	
	35.75	38.25	6.00	1.50	467.00	610.00	
	45.25	47.75	8.00	2.00	562.00	712.00	

Burst to working pressure ratio is 4:1



CSA standard B-51 certified. Inspected and tested by the Technical Standards and Safety Authority of Canada.



PROJECT	
CUSTOMER	
ENGINEER	
REPRESENTATIVE	
DRAWING #	



4560 Buckley Road
 Liverpool, NY USA 13088-2509
 Phone 315/437-1611 • Fax 315/437-1903
 www.flexhose.com • 1.877.TRI FLEX

Rev. 09/23-C

FLEXPRESS-FLANGED ENDS

FP/FxF 2"-12" I.D.