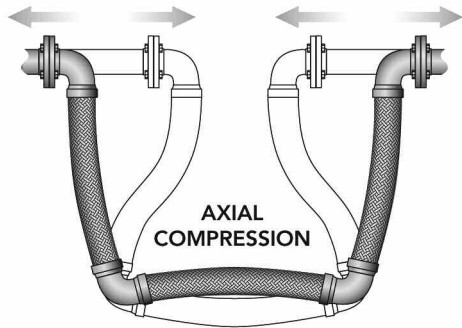
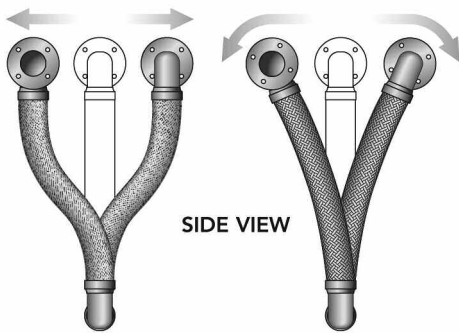


Tri-Flex Loop® Expansion Loops & Seismic Connectors

Movement Capabilities

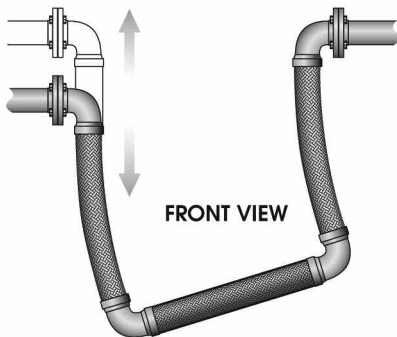


AXIAL EXTENSION
FRONT VIEW



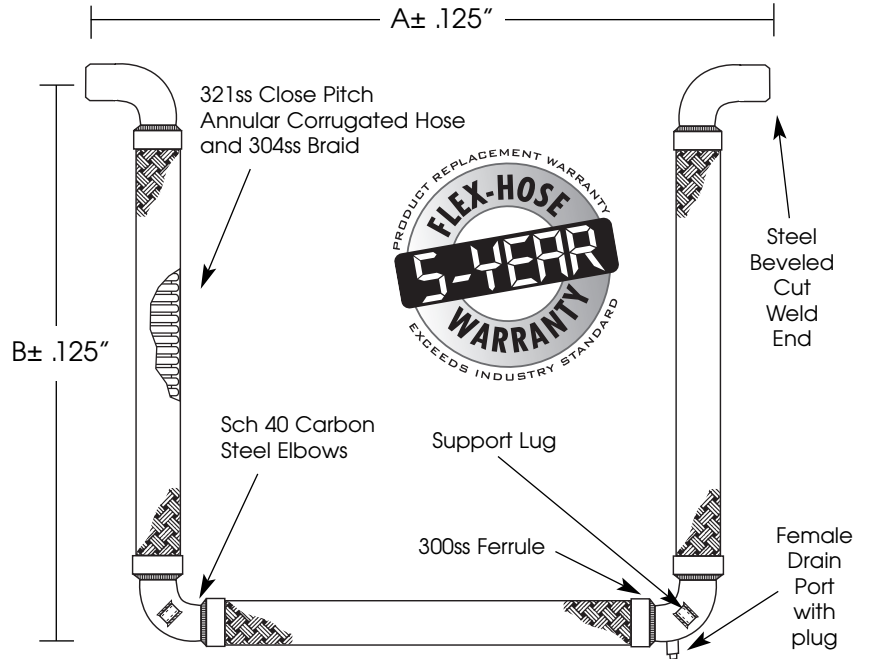
PARALLEL OFFSET
"Z" AXIS

PARALLEL OFFSET
WITH "X" AXIS
ROTATION



FRONT VIEW

NON-PARALLEL OFFSET "Y" AXIS



I.D. (IN)	LENGTH (IN)		PRESSURE (PSI)		MOVEMENT CAPABILITY					DRAIN PORT (IN)	WT (LBS)	NOTES
	A	B	70°F	200°F	COMPRESSION (IN)	EXTENSION (IN)	PARALLEL (IN)	ROTATION "X" AXIS (DEG)	NON-PARALLEL "Y" AXIS (IN)			
1/2	25.00	18.00	1100	1034	4	4	4	35°	2	1/4	3	
3/4	24.75	18.50	800	752	4	4	4	35°	2	1/4	4	
1.0	28.75	20.50	750	705	4	4	4	30°	2	1/2	6	
1.25	31.38	22.50	725	681	4	4	4	25°	2	1/2	8	
1.5	35.00	24.50	565	531	4	4	4	25°	2	1/2	12	
2.0	40.00	28.25	500	470	4	4	4	20°	2	1/2	17	
2.5	44.00	31.00	400	376	4	4	4	20°	2	3/4	28	
3.0	49.25	34.00	285	267	4	4	4	15°	2	3/4	38	
4.0	57.75	40.00	250	235	4	4	4	10°	2	3/4	65	
5.0	71.25	51.00	200	188	4	4	4	10°	2	3/4	117	
6.0	78.00	54.25	220	206	4	4	4	5°	2	3/4	166	
8.0	95.00	63.25	215	202	4	4	4	5°	2	3/4	302	
10.0	115.00	74.38	200	188	4	4	4	3°	2	3/4	520	
12.0	132.00	84.38	160	150	4	4	4	3°	2	3/4	752	

Working pressures shown for the hose and braid are based on an operating temperature of 70°F (21°C) with a 4:1 safety factor.



This product is listed by IAPMO R&T under file #N-7208 for NSF/ANSI 61 and file 7207 for California Lead Plumbing Law and NSF/ANSI-372. Our listed products can be viewed on IAPMO R&T's Web listing at <http://pld.iapmo.org>



CSA standard B-51 certified. Inspected and tested by the Technical Standards and Safety Authority of Canada.



APPROVED

For Fire Protection Systems

PROJECT	
CUSTOMER	
ENGINEER	
REPRESENTATIVE	
DRAWING #	



4560 Buckley Road • Liverpool, NY USA 13088-2509
315/437-1611 • Fax 315/437-1903
www.flexhose.com • 1.877.TRI FLEX

EXPANSION LOOPS AND SEISMIC CONNECTORS

TFL4SWN 1/2"-12" I.D.