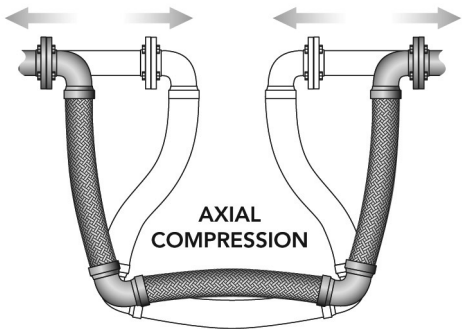
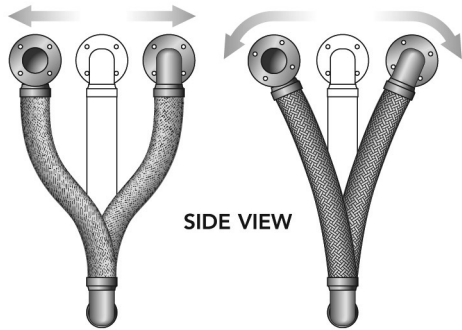


Tri-Flex Loop® Expansion Loops & Seismic Connectors for Refrigeration Service

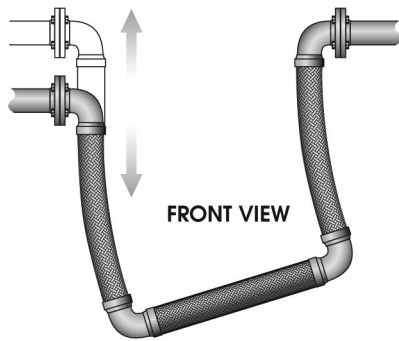
Movement Capabilities



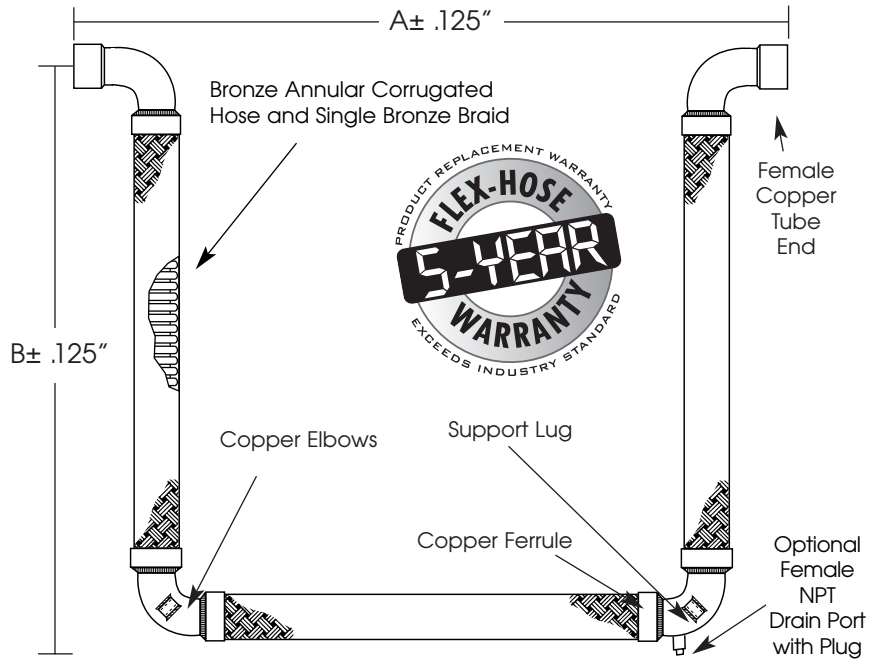
FRONT VIEW



SIDE VIEW



FRONT VIEW



To Fit Copper Tube Actual O.D. (In.)	Nominal Tube (In.)	Hose I.D. (In.)	Length (In.)		Pressure at 150°F	MOVEMENT CAPABILITY					Drain Port Optional (In.)	Wt. (Lbs.)
			A	B		Compression (In.)	Extension (In.)	Parallel (In.)	Rotation "X" Axis (Deg)	Non-Parallel "Y" Axis (In.)		
3/8	1/2	3/8	16.50	15.38	450	4	4	4	35	2	N/A	2
1/2	3/4	1/2	18.00	16.50	450	4	4	4	35	2	N/A	3
5/8	1	5/8	19.25	17.75	450	4	4	4	35	2	1/4	4
3/4	1 1/4	3/4	21.88	19.25	450	4	4	4	35	2	1/4	4
1	1 1/2	1	22.50	20.50	440	4	4	4	30	2	1/4	9
1 1/4	1 3/4	1 1/4	22.75	20.62	440	4	4	4	30	2	1/4	9
1 1/2	2	1 1/2	25.50	22.75	400	4	4	4	30	2	1/2	10
1 3/4	2 1/4	1 3/4	28.50	25.25	400	4	4	4	25	2	1/2	15
2	2 1/2	2	33.50	28.50	400	4	4	4	25	2	1/2	20
2 1/4	3	2 1/4	36.50	31.50	225	4	4	4	20	2	1/2	28
2 3/4	3 1/2	2 3/4	37.25	32.00	205	4	4	4	20	2	3/4	41

Working pressures shown for the hose and braid are based on an operating temperature of 70°F (21°C) with a 5:1 safety factor.

Assemblies are provided cleaned and capped for use in refrigeration systems. Assemblies are not to be used with ammonia refrigerants.



UL Listed file #SA44797 for USA & Canada

Suitable for the following refrigerants: R12, R22, R23, R125, R134A, R401A, R401B, R402A, R402B, R404A, R407A, R408A, R409A, R410A, R410B, R412A, R502, R507, R508 and R509

PROJECT	
CUSTOMER	
ENGINEER	
REPRESENTATIVE	
DRAWING #	



4560 Buckley Road • Liverpool, NY USA 13088-2509
315/437-1611 • Fax 315/437-1903
www.flexhose.com • 1.877.METAL EJ