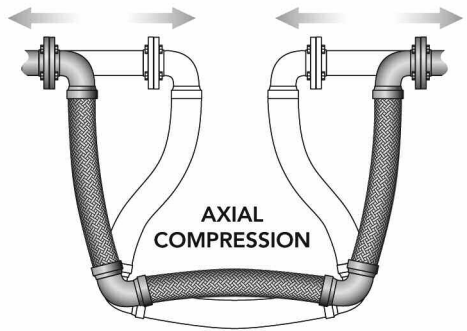


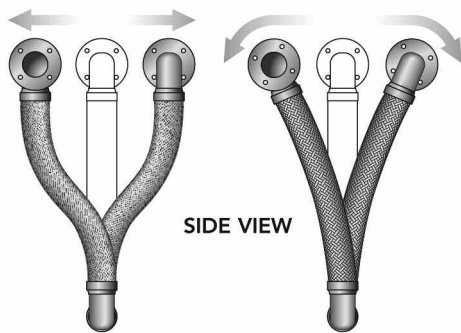
# Tri-Flex Loop® Expansion Loops & Seismic Connectors

## Movement Capabilities



AXIAL  
COMPRESSION

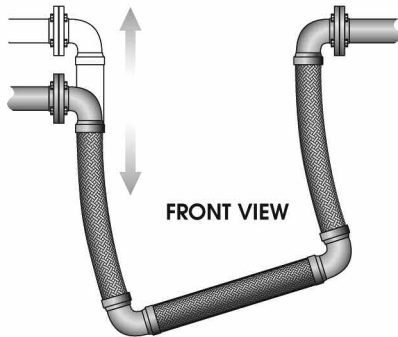
AXIAL EXTENSION  
FRONT VIEW



SIDE VIEW

PARALLEL OFFSET  
"Z" AXIS

PARALLEL OFFSET  
WITH "X" AXIS  
ROTATION



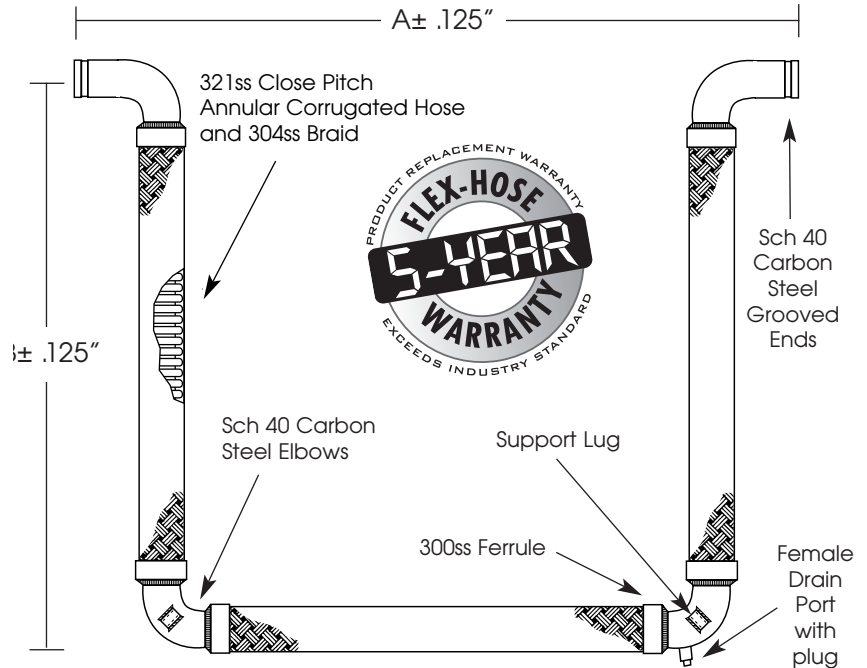
FRONT VIEW

NON-PARALLEL OFFSET "Y" AXIS



This product is listed by IAPMO R&T under file #N-7208 for NSF/ANSI 61 and file 7207 for California Lead Plumbing Law and NSF/ANSI-372. Our listed products can be viewed on IAPMO R&T's Web listing at <http://pld.iapmo.org>

PROJECT	
CUSTOMER	
ENGINEER	
REPRESENTATIVE	
DRAWING #	



I. D. (IN)	LENGTH (IN)		PRESSURE (PSI)		MOVEMENT CAPABILITY					DRAIN PORT (IN)	WT (LBS)	NOTES
	A	B	70°F	200°F	COMPRESSION (IN)	EXTENSION (IN)	PARALLEL (IN)	ROTATION "X" AXIS (DEG)	NON-PARALLEL "Y" AXIS (IN)			
1.0	21.00	15.75	750	705	2	2	2	20°	1	½	6	
1.5	27.00	19.50	565	531	2	2	2	15°	1	½	11	
2.0	31.00	22.25	500	470	2	2	2	10°	1	½	15	
2.5	35.00	25.00	400	376	2	2	2	10°	1	¾	27	
3.0	39.25	28.00	285	267	2	2	2	10°	1	¾	37	
4.0	48.75	33.00	250	235	2	2	2	5°	1	¾	64	
5.0	61.50	41.25	200	188	2	2	2	5°	1	¾	105	
6.0	67.75	45.00	220	206	2	2	2	3°	1	¾	154	
8.0	82.00	53.25	215	202	2	2	2	ON APPLICATION	1	¾	278	
10.0	99.00	63.38	200	188	2	2	2	ON APPLICATION	1	¾	487	
12.0	113.00	72.38	160	150	2	2	2	ON APPLICATION	1	¾	700	

Working pressures shown for the hose and braid are based on an operating temperature of 70°F (21°C) with a 4:1 safety factor.



CSA standard B-51 certified.  
Inspected and tested by the  
Technical Standards and  
Safety Authority of Canada.



APPROVED

For Fire Protection Systems



4560 Buckley Road • Liverpool, NY USA 13088-2509

315/437-1611 • Fax 315/437-1903

[www.flexhose.com](http://www.flexhose.com) • 1.877.TRI FLEX