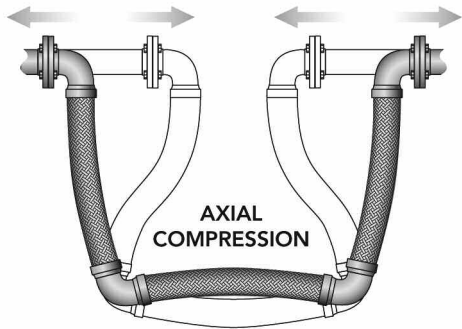
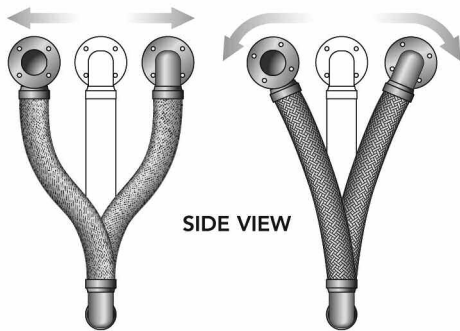


Tri-Flex Loop® Expansion Loops & Seismic Connectors

Movement Capabilities



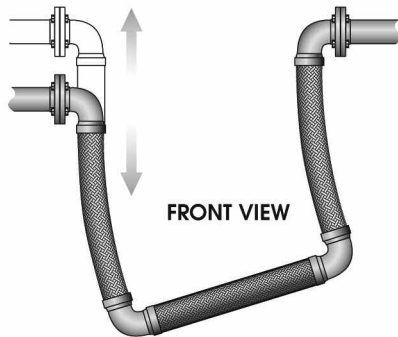
AXIAL EXTENSION
FRONT VIEW



SIDE VIEW

PARALLEL OFFSET
"Z" AXIS

PARALLEL OFFSET
WITH "X" AXIS
ROTATION

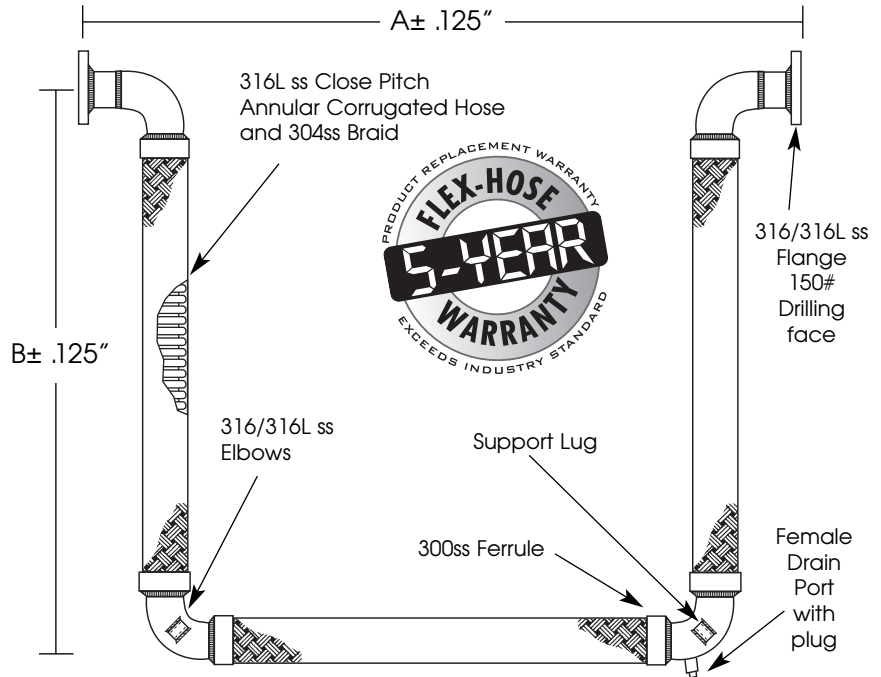


NON-PARALLEL OFFSET "Y" AXIS



This product is listed by IAPMO R&T under file #N-7208 for NSF/ANSI 61 and file 7207 for California Lead Plumbing Law and NSF/ANSI-372. Our listed products can be viewed on IAPMO R&T's Web listing at <http://pld.iapmo.org>

| | |
|----------------|--|
| PROJECT | |
| CUSTOMER | |
| ENGINEER | |
| REPRESENTATIVE | |
| DRAWING # | |



| I.D. (IN) | LENGTH (IN) | | PRESSURE (PSI) | | MOVEMENT CAPABILITY | | | | | DRAIN PORT (IN) | WT (LBS) | NOTES |
|-----------|-------------|-------|----------------|-------|---------------------|----------------|---------------|-------------------------|----------------------------|-----------------|----------|-------|
| | A | B | 70°F | 200°F | COMPRESSION (IN) | EXTENSION (IN) | PARALLEL (IN) | ROTATION "X" AXIS (DEG) | NON-PARALLEL "Y" AXIS (IN) | | | |
| 2.0 | 31.50 | 22.25 | 500 | 460 | 2 | 2 | 2 | 10° | 1 | ½ | 22 | |
| 2.5 | 35.50 | 25.00 | 400 | 368 | 2 | 2 | 2 | 10° | 1 | ¾ | 37 | |
| 3.0 | 39.75 | 28.00 | 285 | 262 | 2 | 2 | 2 | 10° | 1 | ¾ | 48 | |
| 4.0 | 43.25 | 33.00 | 250 | 230 | 2 | 2 | 2 | 5° | 1 | ¾ | 79 | |
| 5.0 | 54.00 | 41.25 | 200 | 184 | 2 | 2 | 2 | 5° | 1 | ¾ | 125 | |
| 6.0 | 60.25 | 45.00 | 220 | 202 | 2 | 2 | 2 | 3° | 1 | ¾ | 177 | |
| 8.0 | 73.50 | 53.25 | 215 | 197 | 2 | 2 | 2 | ON APPLICATION | 1 | ¾ | 320 | |
| 10.0 | 88.50 | 63.38 | 200 | 184 | 2 | 2 | 2 | ON APPLICATION | 1 | ¾ | 537 | |
| 12.0 | 102.50 | 72.38 | 160 | 147 | 2 | 2 | 2 | ON APPLICATION | 1 | ¾ | 780 | |

Working pressures shown for the hose and braid are based on an operating temperature of 70°F (21°C) with a 4:1 safety factor.



CSA standard B-51 certified. Inspected and tested by the Technical Standards and Safety Authority of Canada.



APPROVED

For Fire Protection Systems



4560 Buckley Road • Liverpool, NY USA 13088-2509

315/437-1611 • Fax 315/437-1903

www.flexhose.com • 1.877.TRI FLEX