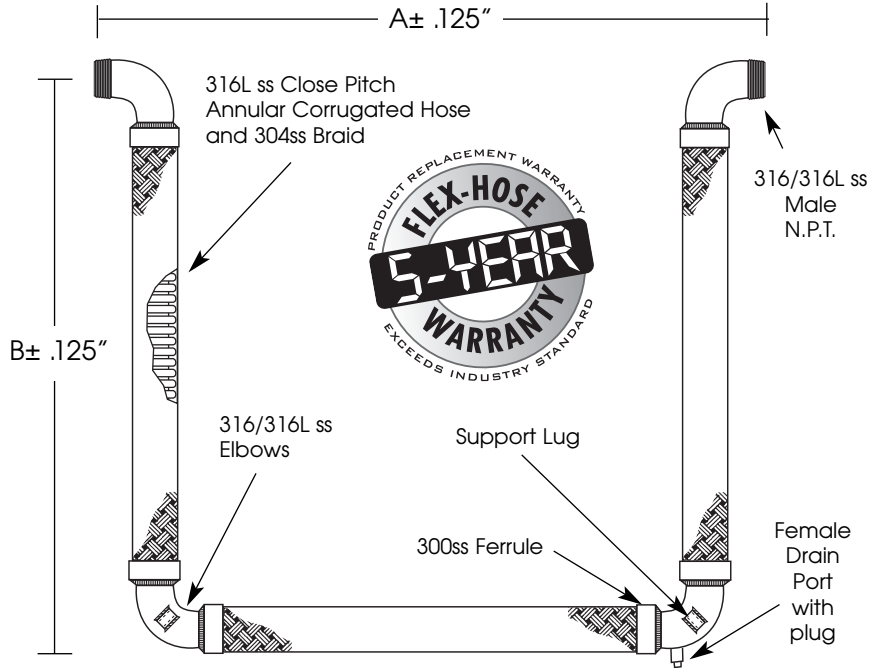
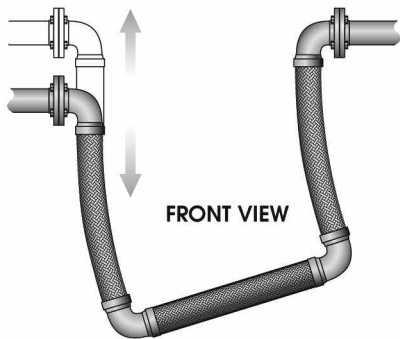
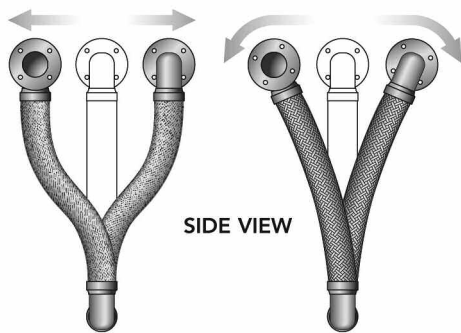
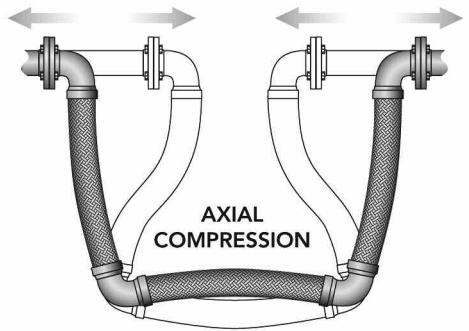


Tri-Flex Loop® Expansion Loops & Seismic Connectors

Movement Capabilities



I.D. (IN)	LENGTH (IN)		PRESSURE (PSI)		MOVEMENT CAPABILITY					DRAIN PORT (IN)	WT (LBS)	NOTES
	A	B	70°F	200°F	COMPRESSION (IN)	EXTENSION (IN)	PARALLEL (IN)	ROTATION "X" AXIS (DEG)	NON-PARALLEL "Y" AXIS (IN)			
½	19.50	14.00	1100	1012	2	2	2	25°	1	¼	3	
¾	19.25	14.50	800	736	2	2	2	20°	1	¼	4	
1.0	21.00	15.75	750	690	2	2	2	20°	1	½	6	
1.25	25.00	18.00	725	667	2	2	2	15°	1	½	8	
1.5	27.00	19.50	565	519	2	2	2	15°	1	½	11	
2.0	31.00	22.25	500	460	2	2	2	10°	1	½	15	
2.5	35.00	25.00	400	368	2	2	2	10°	1	¾	27	
3.0	39.25	28.00	285	262	2	2	2	10°	1	¾	37	
4.0	48.75	33.00	250	230	2	2	2	5°	1	¾	64	

Working pressures shown for the hose and braid are based on an operating temperature of 70°F (21°C) with a 4:1 safety factor.

NSF/ANSI 61 IAPMO R&T
This product is listed by IAPMO R&T under file #N-7208 for NSF/ANSI 61 and file 7207 for California Lead Plumbing Law and NSF/ANSI-372. Our listed products can be viewed on IAPMO R&T's Web listing at <http://pld.iapmo.org>

PROJECT	
CUSTOMER	
ENGINEER	
REPRESENTATIVE	
DRAWING #	

CSA standard B-51 certified. Inspected and tested by the Technical Standards and Safety Authority of Canada.



APPROVED
For Fire Protection Systems



4560 Buckley Road • Liverpool, NY USA 13088-2509
315/437-1611 • Fax 315/437-1903
www.flexhose.com • 1.877.TRI FLEX