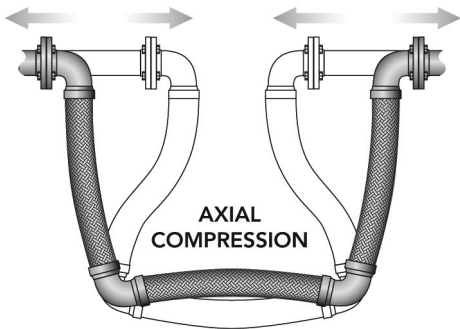
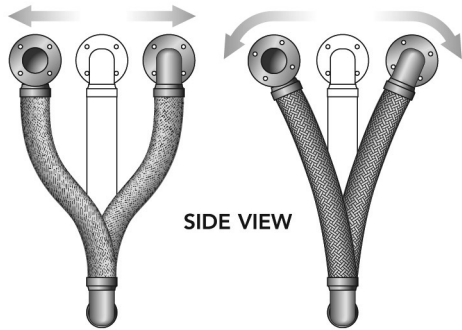


# Tri-Flex Loop® Expansion Loops & Seismic Connectors for Refrigeration Service

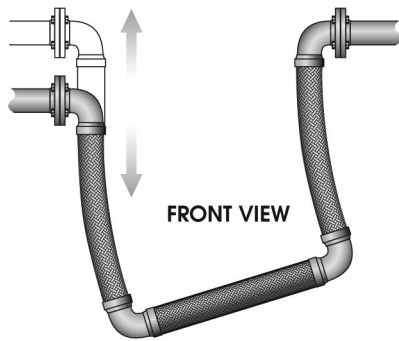
## Movement Capabilities



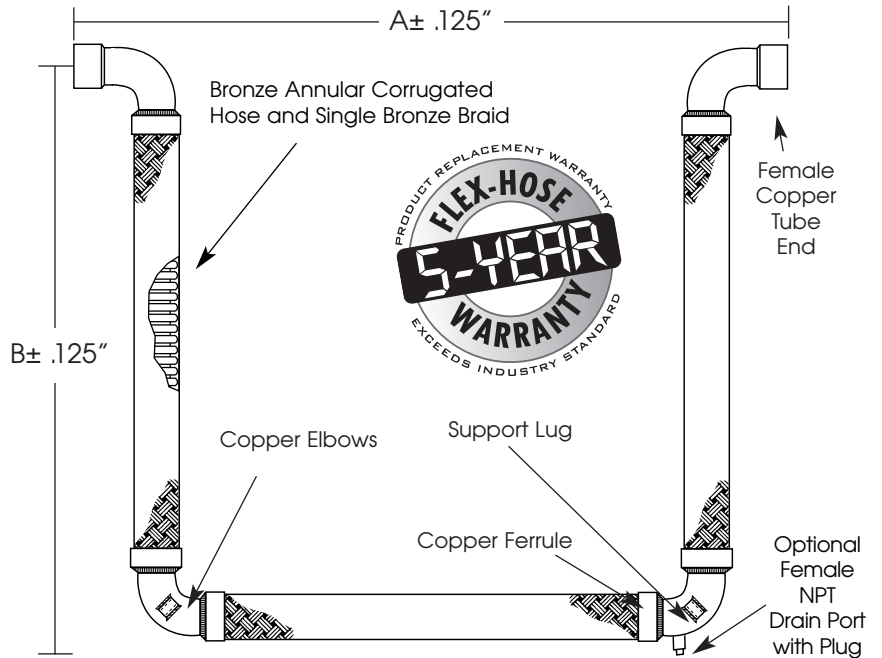
FRONT VIEW



SIDE VIEW



FRONT VIEW



Length (In.)		To Fit Copper Tube		Hose I.D. (In.)	Pressure at 150°F	MOVEMENT CAPABILITY					Drain Port Optional (In.)	Wt. (Lbs.)
						Actual O.D. (In.)	Nominal Tube (In.)	Compression (In.)	Extension (In.)	Parallel (In.)		
A	B											
12.00	11.00	¾	¾	¾	450	2	2	2	25	1	N/A	2
13.63	12.25	¾	¾	¾	450	2	2	2	25	1	N/A	3
15.00	13.50	¾	½	½	450	2	2	2	25	1	¼	3
18.63	16.00	¾	¾	½	450	2	2	2	25	1	¼	4
18.00	16.00	¾	¾	¾	440	2	2	2	20	1	¼	6
18.25	16.12	1	¾	¾	440	2	2	2	20	1	¼	7
20.75	18.00	1½	1	1	400	2	2	2	20	1	½	8
23.25	20.00	1½	1¼	1¼	400	2	2	2	15	1	½	13
28.00	23.00	1½	1½	1½	425	2	2	2	15	1	½	17
30.50	25.50	2½	2	2	225	2	2	2	10	1	½	23
31.25	26.00	2½	2½	2½	140	2	2	2	10	1	¾	34

Working pressures shown for the hose and braid are based on an operating temperature of 150°F (21°C) with a 5:1 safety factor.

Assemblies are provided cleaned and capped for use in refrigeration systems. Assemblies are not to be used with ammonia refrigerants.

Suitable for the following refrigerants: R12, R22, R23, R125, R134A, R401A, R401B, R402A, R402B, R404A, R407A, R408A, R409A, R410A, R410B, R412A, R502, R507, R508 and R509



UL-207 listed file #SA44797 for USA & Canada

PROJECT	
CUSTOMER	
ENGINEER	
REPRESENTATIVE	
DRAWING #	



4560 Buckley Road • Liverpool, NY USA 13088-2509  
315/437-1611 • Fax 315/437-1903  
www.flexhose.com • 1.877.TRI FLEX

EXPANSION LOOPS & SEISMIC CONNECTORS FOR REFRIGERTAION **TFL2BSWRFR ¼"-2.5" I.D.**