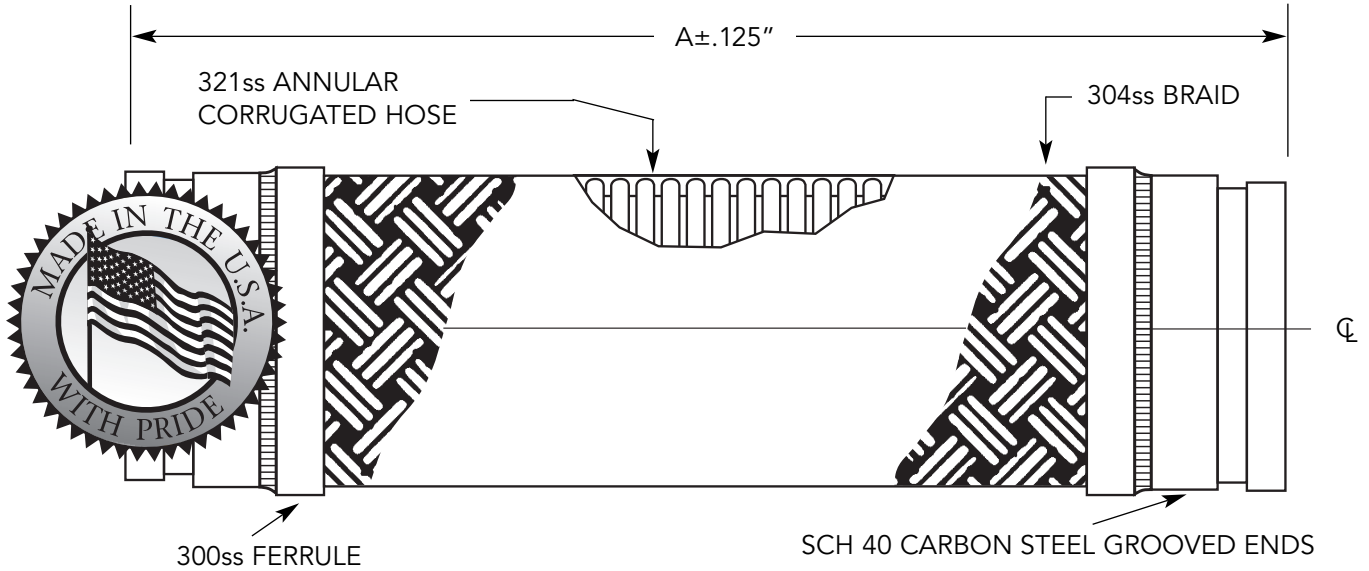


Pumpsaver® Braided Pump Connectors



| FOR TEMP ABOVE 70°F | |
|---------------------|--------|
| TEMP | FACTOR |
| 70 | 1.00 |
| 200 | .94 |
| 300 | .88 |
| 400 | .83 |
| 500 | .78 |
| 600 | .74 |

| I.D. (In.) | Length (In.) | Pressure (PSI) 70°F | Parallel Offset (In.) | | Weight (lb) | Notes |
|------------|--------------|---------------------|-----------------------|--------------|-------------|-------|
| | | | Permanent | Intermittent | | |
| 2.00 | 12.00 | 500 | 1¼ | ¾ | 3.90 | |
| 2.50 | 12.00 | 400 | 1¼ | ¾ | 4.50 | |
| 3.00 | 12.00 | 285 | ¾ | ¼ | 6.10 | |
| 4.00 | 14.00 | 250 | ½ | ¼ | 9.30 | |
| 5.00 | 16.00 | 200 | ⅞ | ¾ | 11.80 | |
| 6.00 | 16.00 | 220 | ⅝ | ¼ | 16.80 | |
| 8.00 | 16.00 | 215 | ½ | ¼ | 23.50 | |
| 10.00 | 20.00 | 200 | ⅝ | ¼ | 44.10 | |
| 12.00 | 20.00 | 160 | ½ | ¼ | 51.50 | |

*Working pressures shown for the hose and braid are based on an operating temperature of 70°F (21°C) with a 4:1 safety factor.

*For safe working pressure above 70°F, multiply pressure shown at 70°F times correction factor of required temp.



NSF/ANSI 61 IAPMO R&T This product is listed by IAPMO R&T under file #N-7208 for NSF/ANSI 61 and file 7207 for California Lead Plumbing Law and NSF/ANSI-372. Our listed products can be viewed on IAPMO R&T's Web listing at <http://pld.iapmo.org>



CSA standard B-51 certified. Inspected and tested by the Technical Standards and Safety Authority of Canada.



4560 Buckley Road
 Liverpool, NY USA 13088-2509
 315/437-1611 • Fax 315/437-1903
www.flexhose.com • 1.877.METAL EJ

| | |
|----------------|--|
| PROJECT | |
| CUSTOMER | |
| ENGINEER | |
| REPRESENTATIVE | |
| DRAWING # | |