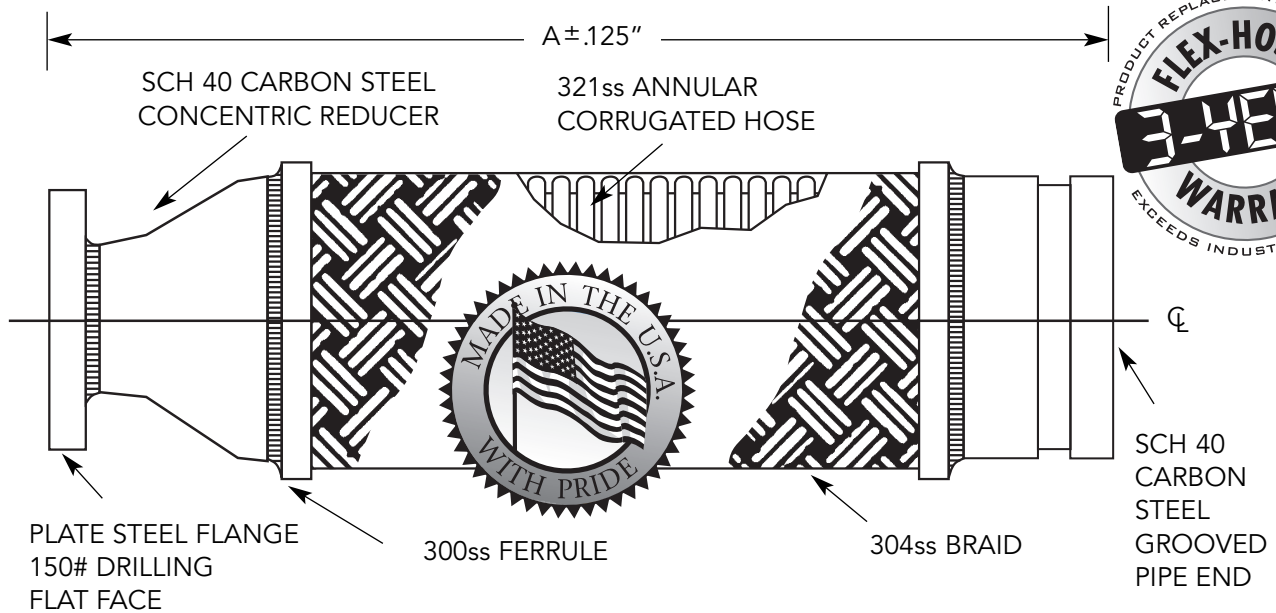


Pumpsaver® Braided Pump Connectors



FOR TEMP ABOVE 70°F	
TEMP °F	FACTOR S.S.
70	1.00
200	.94
300	.88
400	.83
500	.78
600	.74

*For safe working pressure above 70°F, multiply pressure shown at 70°F times correction factor of required temp.

I.D. (In.)		Length (In.)	Pressure (PSI) 70°F	Parallel Offset (In.)		Weight (lb)	Notes
Small Flange	Large Groove & Hose			Permanent	Intermittent		
1.50	2.00	14.00	500	1½	⅝	6.70	
1.50	2.50	14.00	400	1¼	⅜	6.90	
2.00	2.50	14.00	400	1¼	⅜	8.10	
2.00	3.00	14.00	285	¾	⅜	10.10	
2.00	4.00	15.00	250	½	¼	12.00	
2.50	3.00	14.00	285	¾	⅜	11.20	
2.50	4.00	15.00	250	½	¼	14.70	
2.50	5.00	18.00	200	¾	⅜	18.90	
2.50	6.00	19.00	220	¾	⅜	25.30	
3.00	4.00	15.00	250	½	¼	15.50	
3.00	5.00	18.00	200	¾	⅜	19.70	
3.00	6.00	19.00	220	¾	⅜	26.10	
4.00	5.00	18.00	200	¾	⅜	21.60	
4.00	6.00	19.00	220	¾	⅜	28.00	
4.00	8.00	20.00	215	⅝	¼	38.40	
5.00	6.00	19.00	220	¾	⅜	31.00	
5.00	8.00	20.00	215	⅝	¼	40.70	
6.00	8.00	20.00	215	½	¼	41.70	
8.00	10.00	23.00	200	½	¼	84.00	
10.00	12.00	25.00	160	½	¼	102.00	



CSA standard B-51 certified. Inspected and tested by the Technical Standards and Safety Authority of Canada.

*Working pressures shown for the hose and braid are based on an operating temperature of 70°F (21°C) with a 4:1 safety factor.

PROJECT	
CUSTOMER	
ENGINEER	
REPRESENTATIVE	
DRAWING #	



4560 Buckley Road
 Liverpool, NY USA 13088-2509
 315/437-1611 • Fax 315/437-1903
 www.flexhose.com • 1.877.METAL EJ