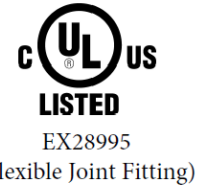
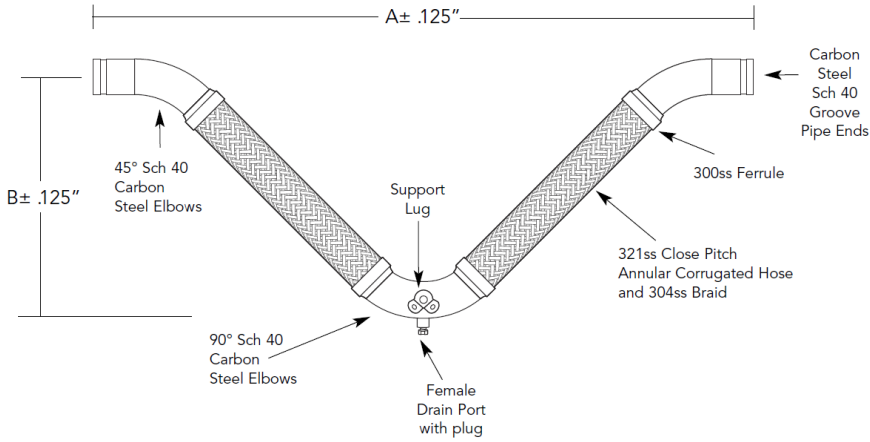


# AssureFlex® Two-Leg V Style Seismic and Expansion Loop for Fire Protection



CSA standard B-51 certified.  
Inspected and tested by the  
Technical Standards and  
Safety Authority of Canada.

QTY.	I.D. (in.)	Length (in.)		Pressure (PSI) @70° F	Drain Port (in.)	Weight (lb.)	Comments
		A (in.)	B (in.)				
	4.00	62.63	25.50	300	3/4	50.0	
	5.00	75.00	31.00	300	3/4	100.0	
	6.00	87.50	36.25	300	3/4	135.0	

MOVEMENT CAPABILITY: +/- 4" Seismic, +/- 6" Thermal

PROJECT	
CUSTOMER	
ENGINEER	
REPRESENTATIVE	
DRAWING #	



4560 Buckley Road  
Liverpool, NY USA 13088-2509  
315/437-1611 • Fax 315/437-1903  
[www.flexhose.com](http://www.flexhose.com) • 1.877.TRI FLEX

Rev. 01/24

**Seismic and Expansion Loop for Fire Protection**

**FPTLVGHP 4" - 6" I.D.**