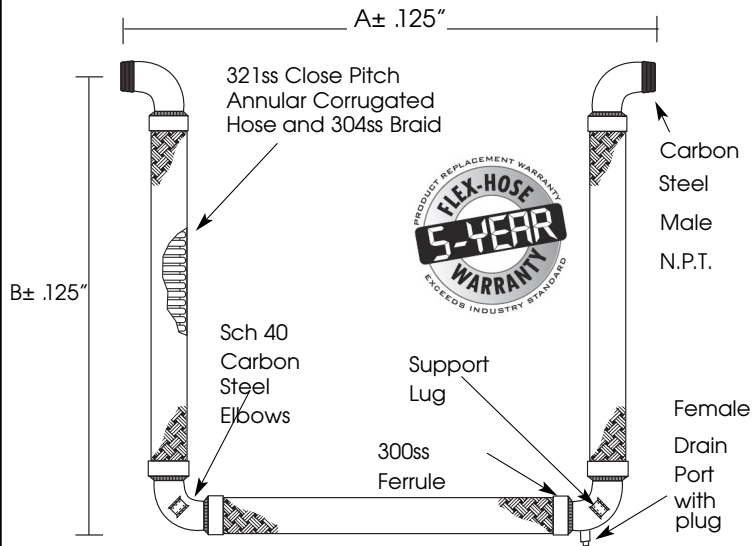


AssureFlex® Tri-Flex Loop® Expansion Loops and Seismic Connectors for Fire Protection



EX28995
(Flexible Joint Fitting)

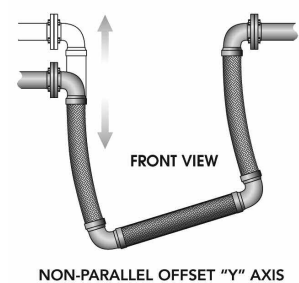
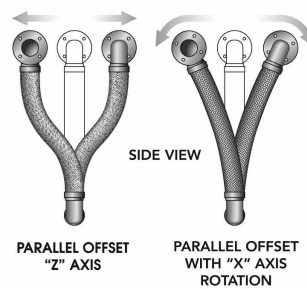
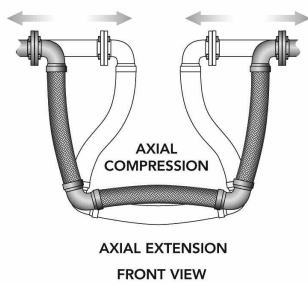


CSA standard B-51 certified. Inspected and tested by the Technical Standards and Safety Authority of Canada.

| Qty | I.D. (in.) | Dimensions | | Pressure (PSI) @ 70° F | Movement Capability | | | | | Drain Port (in.) | Wt. (lb.) | Notes |
|-----|------------|------------|-----------|------------------------|---------------------|-----------------|----------------|------------------------|-----------------------------|------------------|-----------|-------|
| | | "A" (in.) | "B" (in.) | | Compression (in.) | Extension (in.) | Parallel (in.) | Rotate "X" Axis (Deg.) | Non-parallel "Y" Axis (in.) | | | |
| | 0.50 | 23.50 | 24.50 | 300 | 8.0 | 8.0 | 8.0 | 35° | 2.0 | ½" | 3.5 | |
| | 0.75 | 23.25 | 25.00 | 300 | 8.0 | 8.0 | 8.0 | 35° | 2.0 | ½" | 4.5 | |
| | 1.00 | 25.75 | 27.50 | 300 | 8.0 | 8.0 | 8.0 | 30° | 2.0 | ½" | 8 | |
| | 1.25 | 29.38 | 30.00 | 300 | 8.0 | 8.0 | 8.0 | 25° | 2.0 | ½" | 10 | |
| | 1.50 | 32.00 | 32.38 | 300 | 8.0 | 8.0 | 8.0 | 25° | 2.0 | ½" | 14 | |
| | 2.0 | 37.00 | 37.00 | 300 | 8.0 | 8.0 | 8.0 | 20° | 2.0 | ½" | 20 | |
| | 2.5 | 41.00 | 39.75 | 300 | 8.0 | 8.0 | 8.0 | 20° | 2.0 | ¾" | 33 | |
| | 3.0 | 45.25 | 43.25 | 300 | 8.0 | 8.0 | 8.0 | 15° | 2.0 | ¾" | 44 | |
| | 4.0 | 55.75 | 50.50 | 175 | 8.0 | 8.0 | 8.0 | 10° | 2.0 | ¾" | 75 | |

Working pressures shown for the hose and braid are based on an operating temperature of 70°F (21°C) with a 4:1 safety factor.

Movement Capabilities



| | |
|----------------|--|
| PROJECT | |
| CUSTOMER | |
| ENGINEER | |
| REPRESENTATIVE | |
| DRAWING # | |



4560 Buckley Road • Liverpool, NY USA 13088-2509
315/437-1611 • Fax 315/437-1903
www.flexhose.com • 1.877.TRI FLEX