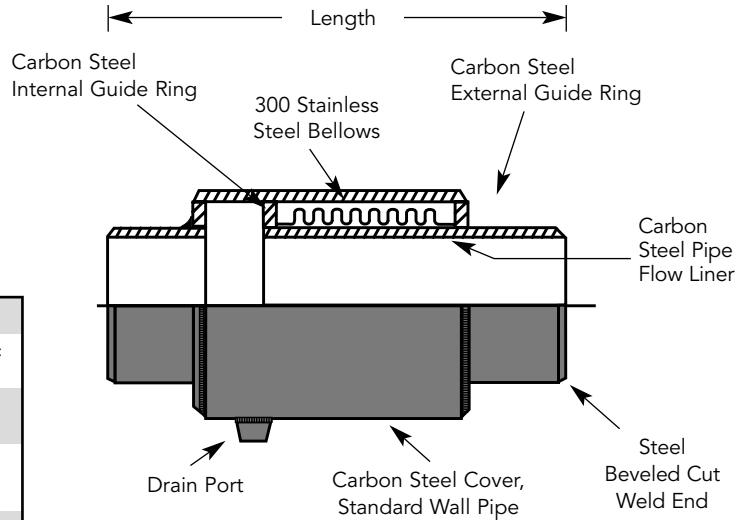


# FLEXPRESS™ FP-S/300 Externally Pressurized Guided Expansion Joints



Maximum Temperature 650°F

Design Pressure 300 PSIG • Test Pressure 450 PSIG					
Qty	I.D. (In.)	Bellows Area (Sq. In.)	Length (In.)	Movement Capability (In.) Compression    Extension	Weight (Lbs.)
<input type="checkbox"/>	2.00	12	23.25	4.00    .75	35.00
<input type="checkbox"/>			32.00	6.00    1.12	48.00
<input type="checkbox"/>			39.25	8.00    1.50	58.00
<input type="checkbox"/>	2.50	12	23.25	4.00    .75	36.00
<input type="checkbox"/>			32.00	6.00    1.12	52.00
<input type="checkbox"/>			39.25	8.00    1.50	63.00
<input type="checkbox"/>	3.00	16	22.25	4.00    .75	47.00
<input type="checkbox"/>			28.50	6.00    1.12	59.00
<input type="checkbox"/>			37.25	8.00    1.50	78.00
<input type="checkbox"/>	4.00	30	22.75	4.00    .75	74.00
<input type="checkbox"/>			29.50	6.00    1.12	94.00
<input type="checkbox"/>			38.50	8.00    1.50	124.00
<input type="checkbox"/>	5.00	42	21.50	4.00    .75	97.00
<input type="checkbox"/>			27.50	6.00    1.12	120.00
<input type="checkbox"/>			33.75	8.00    1.50	143.00
<input type="checkbox"/>	6.00	53	21.50	4.00    .75	106.00
<input type="checkbox"/>			27.50	6.00    1.12	130.00
<input type="checkbox"/>			33.75	8.00    1.50	155.00
<input type="checkbox"/>	8.00	83	22.50	4.00    .75	168.00
<input type="checkbox"/>			29.00	6.00    1.12	209.00
<input type="checkbox"/>			35.75	8.00    1.50	250.00
<input type="checkbox"/>	10.00	135	23.75	4.00    1.00	216.00
<input type="checkbox"/>			30.75	6.00    1.50	272.00
<input type="checkbox"/>			40.00	8.00    2.00	354.00
<input type="checkbox"/>	12.00	182	24.50	4.00    1.00	285.00
<input type="checkbox"/>			32.00	6.00    1.50	355.00
<input type="checkbox"/>			41.75	8.00    2.00	457.00
<input type="checkbox"/>	14.00	212	25.00	4.00    1.00	373.00
<input type="checkbox"/>			32.50	6.00    1.50	468.00
<input type="checkbox"/>			42.25	8.00    2.00	607.00
<input type="checkbox"/>	16.00	276	25.00	4.00    1.00	418.00
<input type="checkbox"/>			32.50	6.00    1.50	525.00
<input type="checkbox"/>			42.25	8.00    2.00	680.00
<input type="checkbox"/>	18.00	338	25.00	4.00    1.00	463.00
<input type="checkbox"/>			32.50	6.00    1.50	581.00
<input type="checkbox"/>			42.25	8.00    2.00	753.00
<input type="checkbox"/>	20.00	404	25.00	4.00    1.00	508.00
<input type="checkbox"/>			32.50	6.00    1.50	637.00
<input type="checkbox"/>			42.25	8.00    2.00	826.00
<input type="checkbox"/>	22.00	481	25.00	4.00    1.00	553.00
<input type="checkbox"/>			32.50	6.00    1.50	693.00
<input type="checkbox"/>			42.25	8.00    2.00	899.00
<input type="checkbox"/>	24.00	562	25.00	4.00    1.00	598.00
<input type="checkbox"/>			32.50	6.00    1.50	750.00
<input type="checkbox"/>			42.25	8.00    2.00	972.00



## Notes



CSA standard B-51 certified. Inspected and tested by the Technical Standards and Safety Authority of Canada.



4560 Buckley Road  
 Liverpool, NY USA 13088-2509  
 315/437-1611 • Fax 315/437-1903  
[www.flexhose.com](http://www.flexhose.com) • 1.877.METAL EJ

PROJECT	
CUSTOMER	
ENGINEER	
REPRESENTATIVE	
DRAWING #	