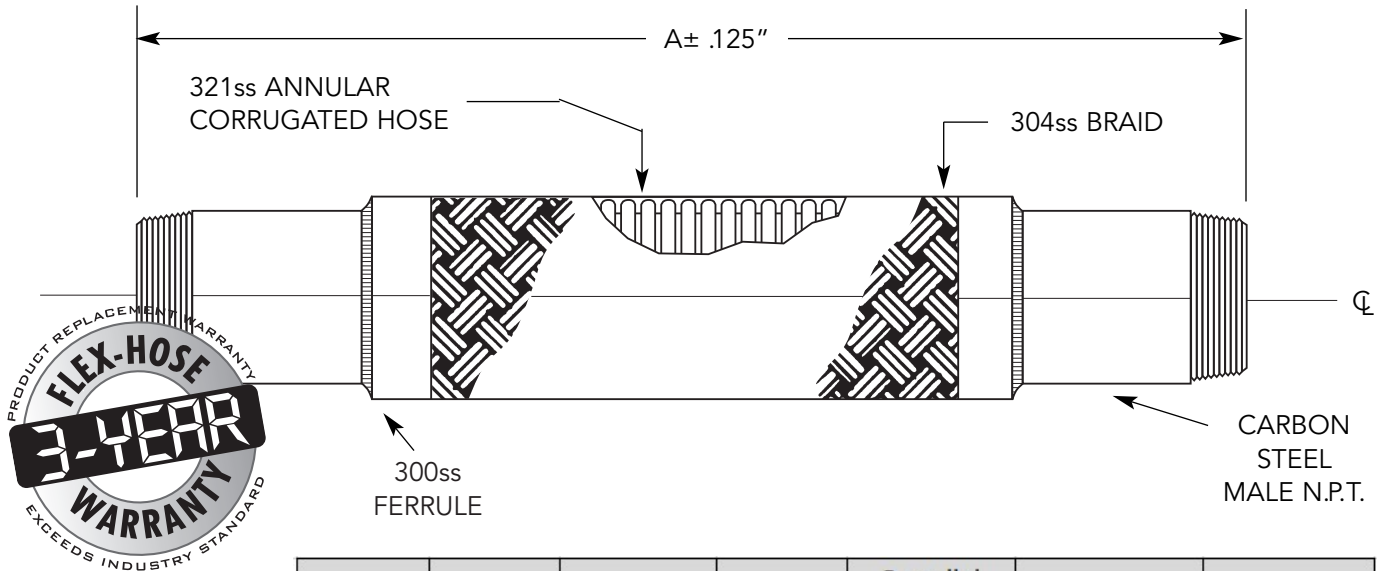


AssureFlex® Braided Pump Connectors for Fire Protection



FOR TEMP ABOVE 70°F	
TEMP °F	FACTOR S.S.
70	1.00
200	.94
300	.88
400	.83
500	.78
600	.74

*For safe working pressure above 70°F, multiply pressure shown at 70°F times correction factor of required temp.

QTY	I.D. (in.)	A (in.)	Pressure (PSI) @70° F	Parallel Offset Intermittent (in.)	Weight (lb.)	Notes
	½	20.63	300	4	1	
	¾	22.25	300	4	2	
	1.00	24.38	300	4	3	
	1.25	25.50	300	4	4	
	1.50	27.50	300	4	5	
	2.00	28.88	300	4	6	
	2.50	31.88	300	4	8	
	3.00	32.25	300	4	11	
	4.00	34.75	175	4	16	

*Working pressures shown for the hose and braid are based on an operating temperature of 70°F (21°C) with a 4:1 safety factor.



CSA standard B-51 certified. Inspected and tested by the Technical Standards and Safety Authority of Canada.



(Flexible Joint Fitting)

PROJECT	
CUSTOMER	
ENGINEER	
REPRESENTATIVE	
DRAWING #	



4560 Buckley Road
 Liverpool, NY USA 13088-2509
 315/437-1611 • Fax 315/437-1903
 www.flexhose.com • 1.877.METAL EJ

