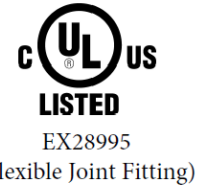
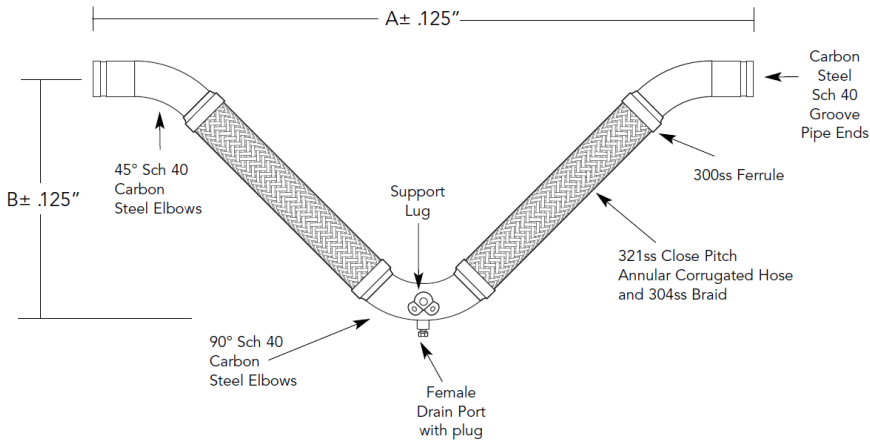


# AssureFlex® Two-Leg V Style Seismic and Expansion Loop for Fire Protection



CSA standard B-51 certified.  
Inspected and tested by the  
Technical Standards and  
Safety Authority of Canada.

QTY.	I.D. (in.)	Length (in.)		Pressure (PSI) @70° F	Drain Port (in.)	Weight (lb.)	Comments
		A (in.)	B (in.)				
	1.00	32.88	14.00	300	½	4.0	
	1.25	36.25	15.13	300	½	6.0	
	1.50	40.00	16.88	300	½	6.5	
	2.00	43.38	18.25	300	½	10.0	
	2.50	49.25	20.75	300	¾	18.0	
	3.00	54.00	22.88	300	¾	24.0	
	4.00	62.63	25.50	175	¾	38.0	
	5.00	74.50	29.88	175	¾	65.0	
	6.00	84.00	33.38	175	¾	99.0	
	8.00	96.75	38.25	175	¾	222.0	
	10.00	115.75	45.38	175	¾	374.0	
	12.00	133.00	52.38	175	¾	388.0	

MOVEMENT CAPABILITY: +/- 4" Seismic, +/- 6" Thermal

8" - 12" ID provided with two stainless steel over braids.

PROJECT	
CUSTOMER	
ENGINEER	
REPRESENTATIVE	
DRAWING #	



4560 Buckley Road  
Liverpool, NY USA 13088-2509  
315/437-1611 • Fax 315/437-1903  
[www.flexhose.com](http://www.flexhose.com) • 1.877.TRI FLEX

Rev. 09/23

**Seismic and Expansion Loop for Fire Protection**

**FPTLVG 1"-12" I.D.**