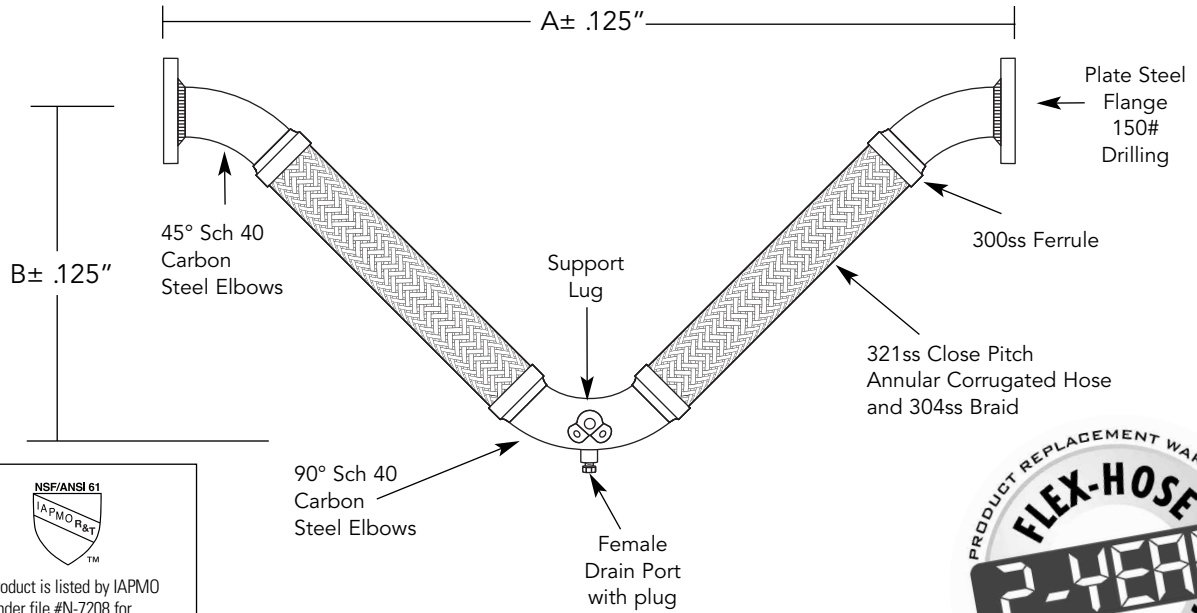


Two-Leg V-Style Expansion Loops





 This product is listed by IAPMO R&T under file #N-7208 for NSF/ANSI 61 and file 7207 for California Lead Plumbing Law and NSF/ANSI-372. Our listed products can be viewed on IAPMO R&T's Web listing at <http://pld.iapmo.org>



QTY.	PIPE SIZE (IN.)	LENGTH (IN.)		PRESSURE (PSI)		DRAIN PORT (IN.)	WT. (LBS.)	COMMENTS
		A	B	70°F	200°F			
	1	33.38	14.00	750	705	½	8.5	
	1.25	36.75	15.13	725	681	½	10.5	
	1.5	40.50	16.88	565	531	½	12.0	
	2	43.88	18.25	500	470	½	18.0	
	2.5	50.25	20.75	400	376	¾	29.0	
	3	54.50	22.88	285	267	¾	36.0	
	4	57.13	25.50	250	235	¾	50.0	
	5	67.00	29.88	200	188	¾	75.0	
	6	75.50	33.38	220	206	¾	104.0	
	8	88.25	38.25	215	202	¾	200.0	
	10	105.25	45.38	200	188	¾	325.0	
	12	122.50	52.38	160	150	¾	491.0	

MOVEMENT CAPABILITY: +/- 4" SEISMIC; +/- 6" THERMAL

PROJECT	
CUSTOMER	
ENGINEER	
REPRESENTATIVE	
DRAWING #	



4560 Buckley Road
 Liverpool, NY USA 13088-2509
 315/437-1611 • Fax 315/437-1903
www.flexhose.com • 1.877.TRI FLEX

Rev. B 06/22

Expansion Loops

FTLVF 1"-12" I.D.