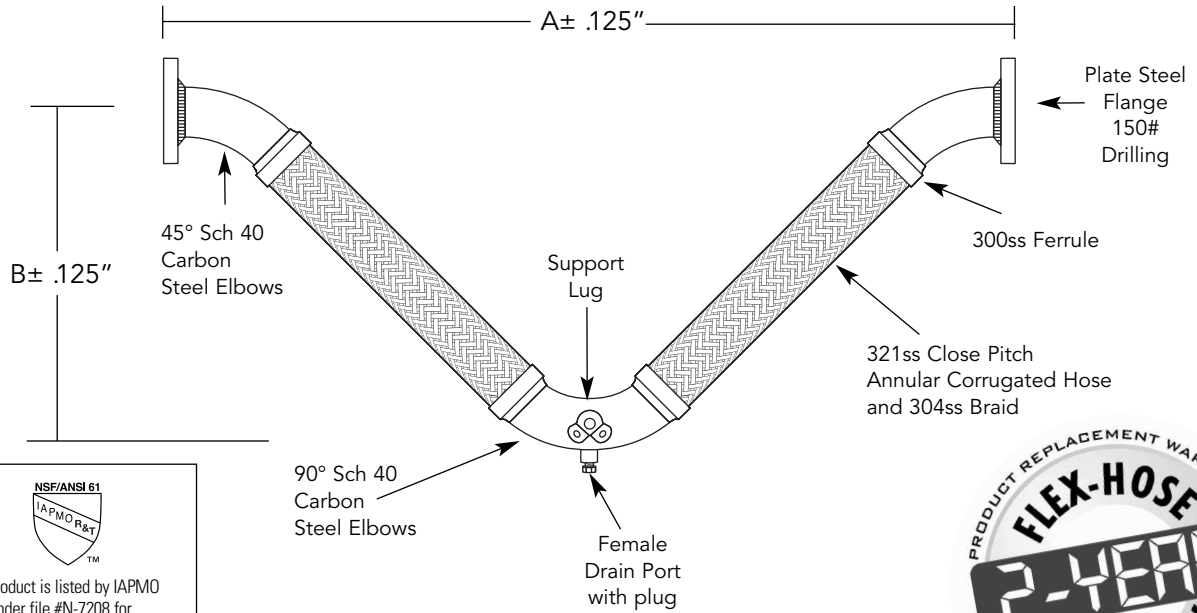


Two-Leg V-Style Expansion Loops



NSF/ANSI 61
IAPMO R&T

This product is listed by IAPMO R&T under file #N-7208 for NSF/ANSI 61 and file 7207 for California Lead Plumbing Law and NSF/ANSI-372. Our listed products can be viewed on IAPMO R&T's Web listing at <http://pld.iapmo.org>



QTY.	PIPE SIZE (IN.)	LENGTH (IN.)		PRESSURE (PSI)		DRAIN PORT (IN.)	WT. (LBS.)	COMMENTS
		A	B	70°F	200°F			
	1	33.38	14.25	750	705	½	8.5	
	1.25	39.00	16.50	725	681	½	10.5	
	1.5	40.63	17.00	565	531	½	12.0	
	2	44.13	18.38	500	470	½	18.0	
	2.5	49.75	21.00	400	376	¾	29.0	
	3	54.63	23.13	285	267	¾	36.0	
	4	58.00	26.25	250	235	¾	50.0	
	5	67.38	30.00	200	188	¾	75.0	
	6	75.50	33.00	220	206	¾	104.0	
	8	90.38	39.25	215	202	¾	200.0	
	10	106.00	45.50	200	188	¾	325.0	
	12	121.75	52.75	160	150	¾	491.0	

MOVEMENT CAPABILITY: +/- 4" SEISMIC; +/- 6" THERMAL

PROJECT	
CUSTOMER	
ENGINEER	
REPRESENTATIVE	
DRAWING #	



4560 Buckley Road
 Liverpool, NY USA 13088-2509
 315/437-1611 • Fax 315/437-1903
www.flexhose.com • 1.877.TRI FLEX