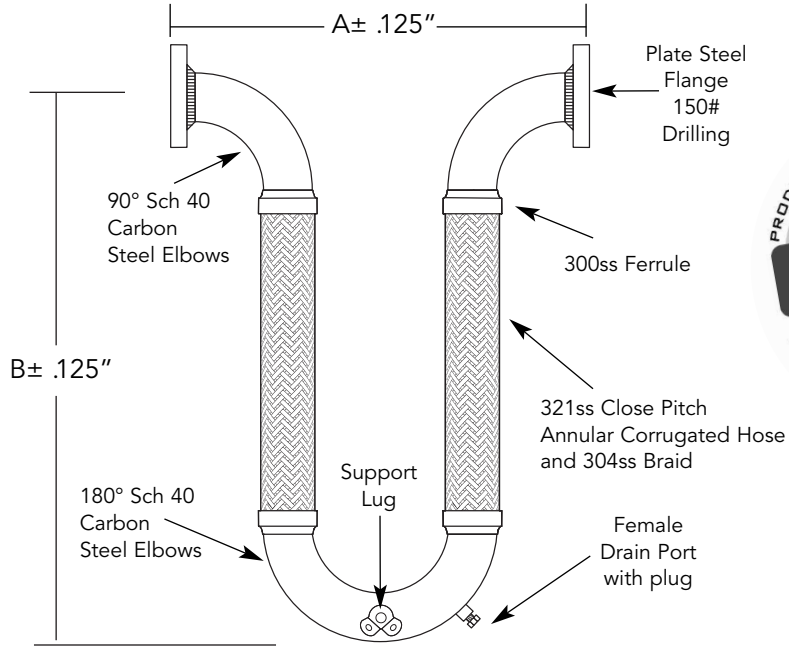



# Two-Leg U-Style Expansion Loops




  
 This product is listed by IAPMO R&T under file #N-7208 for NSF/ANSI 61 and file 7207 for California Lead Plumbing Law and NSF/ANSI-372. Our listed products can be viewed on IAPMO R&T's Web listing at <http://pld.iapmo.org>

QTY.	PIPE SIZE (IN.)	LENGTH (IN.)		PRESSURE (PSI)		DRAIN PORT (IN.)	WT. (LBS.)	COMMENTS
		A	B	70°F	200°F			
	2	12.50	17.38	500	470	½	21.0	
	2.5	15.50	21.00	400	376	¾	30.0	
	3	18.50	23.38	285	267	¾	46.0	
	4	24.50	28.00	250	235	¾	63.0	
	5	30.50	32.25	200	188	¾	91.0	
	6	36.50	36.75	220	206	¾	148.0	
	8	48.50	44.50	215	202	¾	287.0	
	10	60.50	53.25	200	188	¾	453.0	
	12	72.50	61.75	160	150	¾	636.0	

MOVEMENT CAPABILITY: +/- 1.5"

PROJECT	
CUSTOMER	
ENGINEER	
REPRESENTATIVE	
DRAWING #	



4560 Buckley Road  
 Liverpool, NY USA 13088-2509  
 315/437-1611 • Fax 315/437-1903  
[www.flexhose.com](http://www.flexhose.com) • 1.877.TRI FLEX