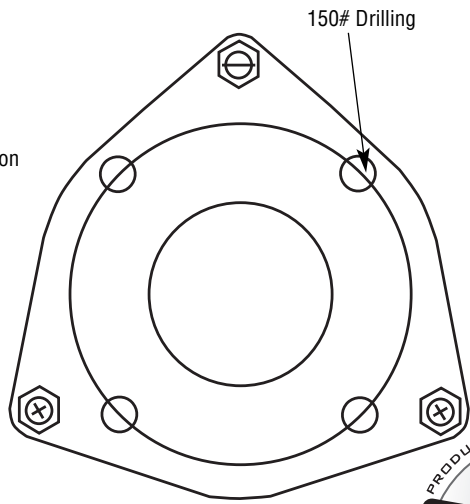
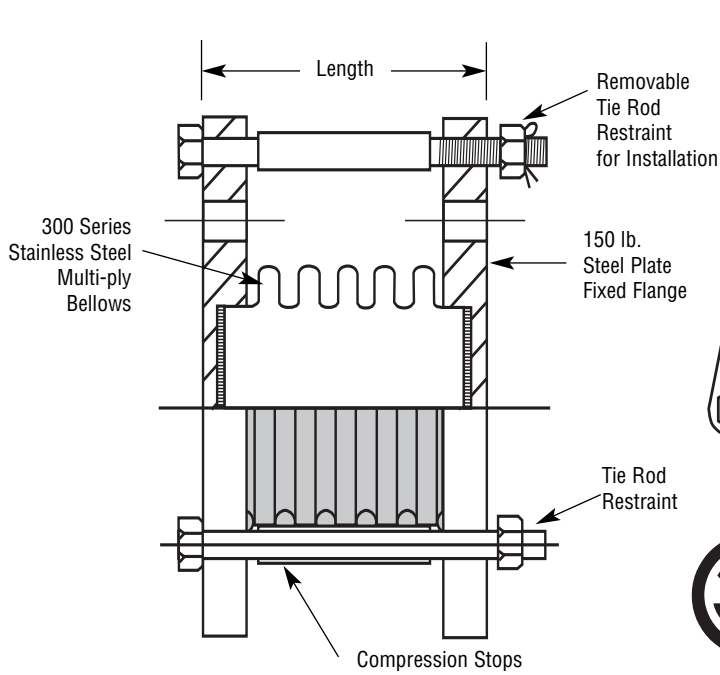


# PUMPFLEX BPC-FX Bellows Pump Connectors/Expansion Joints



CSA standard B-51 certified. Inspected and tested by the Technical Standards and Safety Authority of Canada.



QTY	I.D. (IN)	LENGTH (IN)	PRESSURE (PSI)		MOVEMENT CAPABILITY			WT. (LBS)	NOTES
			70°F	360°F	COMPRESSION (IN)	EXTENSION (IN)	PARALLEL (IN)		
	2.00	4 $\frac{3}{8}$	165	150	$\frac{1}{2}$	$\frac{1}{8}$	$\frac{1}{8}$	11.00	
	2.50	4 $\frac{3}{8}$	165	150	$\frac{1}{2}$	$\frac{1}{8}$	$\frac{1}{8}$	15.00	
	3.00	4 $\frac{3}{8}$	165	150	$\frac{1}{2}$	$\frac{1}{8}$	$\frac{1}{8}$	17.00	
	4.00	4 $\frac{3}{8}$	165	150	$\frac{1}{2}$	$\frac{1}{8}$	$\frac{1}{8}$	27.00	
	5.00	4 $\frac{3}{8}$	165	150	$\frac{1}{2}$	$\frac{1}{8}$	$\frac{1}{8}$	33.00	
	6.00	5	165	150	$\frac{1}{2}$	$\frac{1}{8}$	$\frac{1}{8}$	38.00	
	8.00	5 $\frac{3}{8}$	165	150	$\frac{1}{2}$	$\frac{1}{8}$	$\frac{1}{8}$	66.00	
	10.00	6 $\frac{1}{4}$	165	150	$\frac{1}{2}$	$\frac{1}{8}$	$\frac{1}{8}$	87.00	
	12.00	6 $\frac{3}{8}$	110	100	$\frac{1}{2}$	$\frac{1}{8}$	$\frac{1}{8}$	114.00	

Burst to working pressure ratio is 4:1

PROJECT	
CUSTOMER	
ENGINEER	
REPRESENTATIVE	
DRAWING #	

REV. 09/23-C



4560 Buckley Road  
 Liverpool, NY USA 13088-2509  
 Phone 315/437-1611 • Fax 315/437-1903  
[www.flexhose.com](http://www.flexhose.com) • 1.877.TRI FLEX