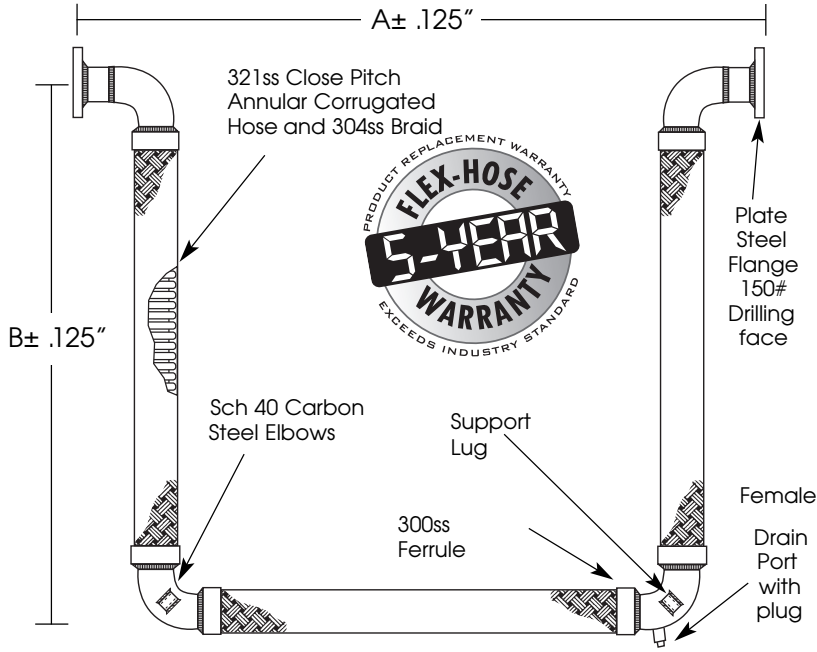


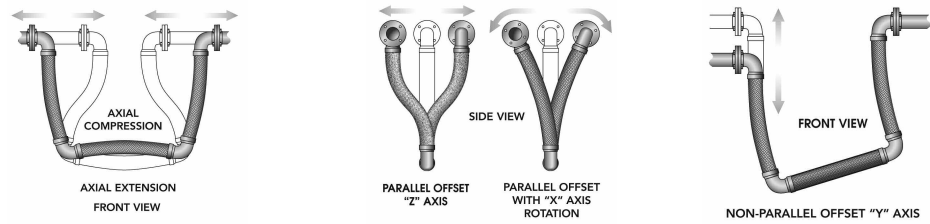
AssureFlex® Tri-Flex® Loop Expansion Loops & Seismic Connectors For Fire Protection



Qty	I.D. (in.)	Dimensions		Pressure (PSI) @70° F	Movement Capability					Drain Port (in.)	Wt. (lb.)	Notes
		"A" (in.)	"B" (in.)		Compression (in.)	Extension (in.)	Parallel (in.)	Rotate "X" Axis (Deg.)	Non-parallel "Y" Axis (in.)			
	2.00	37.50	37.00	300	8	8	8	20°	2	½"	27	
	2.50	41.50	39.75	300	8	8	8	20°	2	¾"	44	
	3.00	45.75	43.25	300	8	8	8	15°	2	¾"	55	
	4.00	50.25	50.50	175	8	8	8	10°	2	¾"	91	
	5.00	63.75	64.00	175	8	8	8	10°	2	¾"	146	
	6.00	69.50	67.50	175	8	8	8	5°	2	¾"	203	
	8.00	83.50	77.00	175	8	8	8	5°	2	¾"	396	
	10.00	99.50	90.00	175	8	8	8	5°	2	¾"	666	
	12.00	114.50	101.00	175	8	8	8	3°	2	¾"	1004	

Working pressures shown for the hose and braid are based on an operating temperature of 70°F (21°C) with a 4:1 safety factor. 8" - 12" provided double braid

Movement Capabilities



PROJECT	
CUSTOMER	
ENGINEER	
REPRESENTATIVE	
DRAWING #	



4560 Buckley Road • Liverpool, NY USA 13088-2509
315-437-1611 • Fax 315-437-1903
www.flexhose.com • 1.877.TRI.FLEX

Rev. 2/24