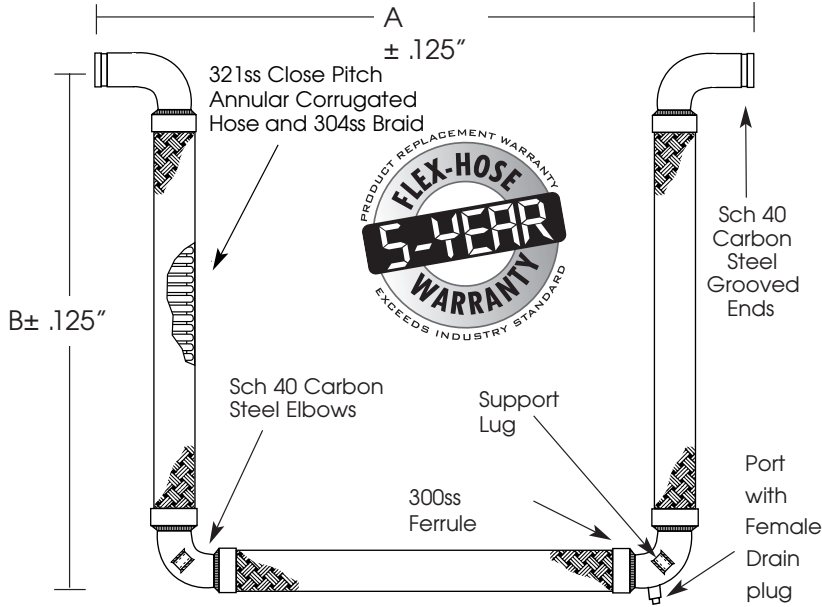


AssureFlex® Tri-Flex Loop® Expansion Loops & Seismic Connectors for Fire Protection

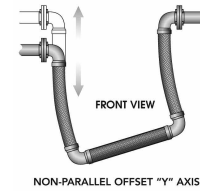
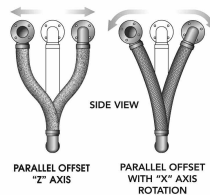
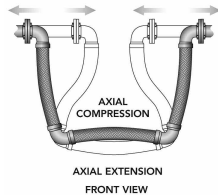


CSA standard B-51 certified.
Inspected and tested by the
Technical Standards and
Safety Authority of Canada.

Qty	Dimensions				Movement Capability					Drain Port (in.)	Wt. (lb.)	Notes
	I.D. (in.)	"A" (in.)	"B" (in.)	Pressure (PSI) @70° F	Compression (in.)	Extension (in.)	Parallel (in.)	Rotate "X" Axis (Deg.)	Non-parallel "Y" Axis (in.)			
	2.00	31.00	22.25	300	2.0	2.0	2.0	10°	1.0	½"	15	
	2.50	35.00	25.00	300	2.0	2.0	2.0	10°	1.0	¾"	27	
	3.00	39.25	28.00	300	2.0	2.0	2.0	10°	1.0	¾"	37	
	4.00	48.75	33.00	175	2.0	2.0	2.0	5°	1.0	¾"	64	
	5.00	61.50	41.25	175	2.0	2.0	2.0	5°	1.0	¾"	105	
	6.00	67.75	45.00	175	2.0	2.0	2.0	3°	1.0	¾"	154	
	8.00	82.00	53.25	175	2.0	2.0	2.0	3°	1.0	¾"	278	
	10.00	99.00	63.38	175	2.0	2.0	2.0	2°	1.0	¾"	487	
	12.00	113.00	72.38	175	2.0	2.0	2.0	1°	1.0	¾"	700	

Working pressures shown for the hose and braid are based on an operating temperature of 70°F (21°C) with a 4:1 safety factor.
8" - 12" provided double braid

Movement Capability



PROJECT	
CUSTOMER	
ENGINEER	
REPRESENTATIVE	
DRAWING #	



4560 Buckley Road • Liverpool, NY USA 13088-2509
315/437-1611 • Fax 315/437-1903
www.flexhose.com • 1.877.TRI FLEX