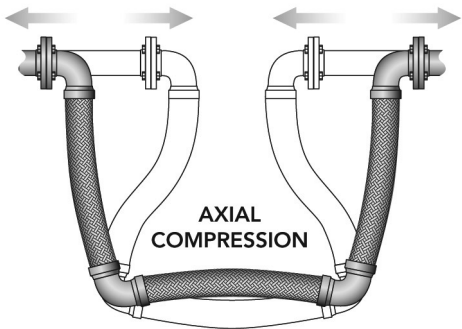
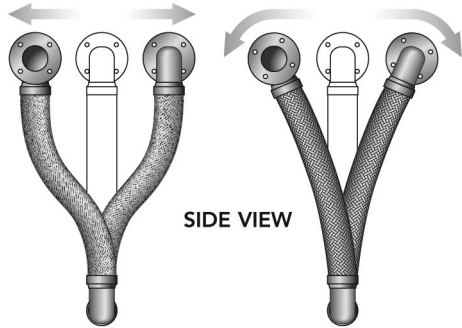


# Tri-Flex Loop® Expansion Loops & Seismic Connectors for Refrigeration Service

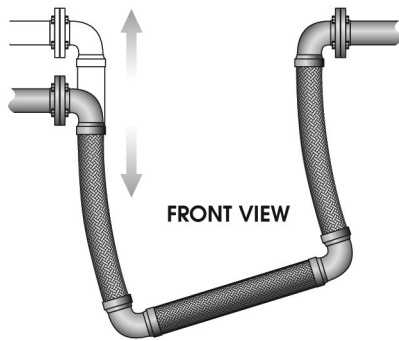
## Movement Capabilities



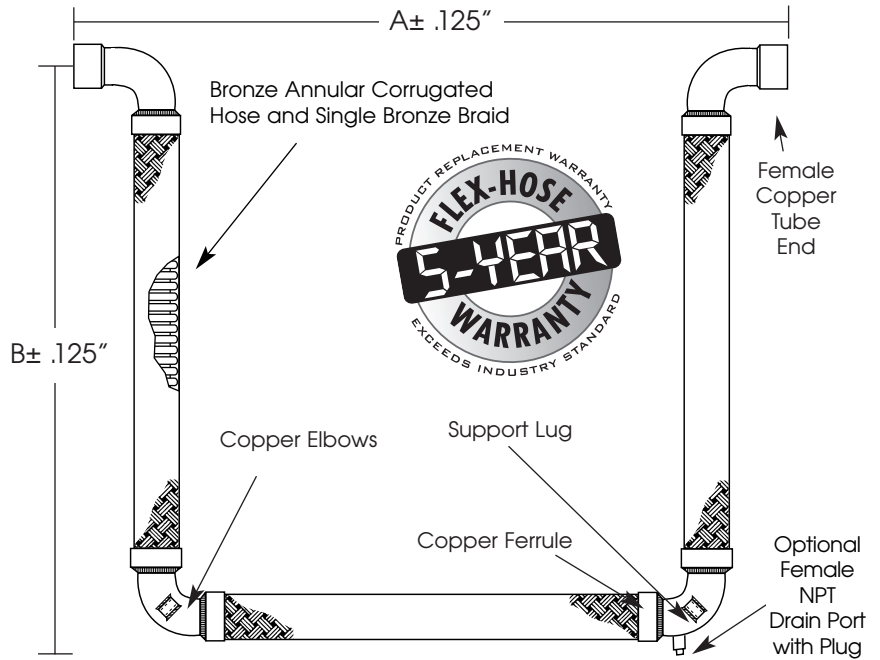
FRONT VIEW



SIDE VIEW



FRONT VIEW



To Fit Copper Tube		Hose I.D. (In.)	Length (In.)		Pressure at 150°F	MOVEMENT CAPABILITY					Drain Port Optional (In.)	Wt. (Lbs.)
Actual O.D. (In.)	Nominal Tube (In.)		A	B		Compression (In.)	Extension (In.)	Parallel (In.)	Rotation "X" Axis (Deg)	Non-Parallel "Y" Axis (In.)		
3/8	1/4	1/4	12.00	11.00	450	2	2	2	25	1	N/A	2
1/2	3/8	3/8	13.63	12.25	450	2	2	2	25	1	N/A	3
5/8	1/2	1/2	15.00	13.50	450	2	2	2	25	1	1/4	3
3/4	5/8	1/2	18.63	16.00	450	2	2	2	25	1	1/4	4
7/8	3/4	3/4	18.00	16.00	440	2	2	2	20	1	1/4	6
1	7/8	3/4	18.25	16.12	440	2	2	2	20	1	1/4	7
1 1/8	1	1	20.75	18.00	400	2	2	2	20	1	1/2	8
1 1/4	1 1/4	1 1/4	23.25	20.00	400	2	2	2	15	1	1/2	13
1 1/2	1 1/2	1 1/2	28.00	23.00	400	2	2	2	15	1	1/2	17
2 1/4	2	2	30.50	25.50	225	2	2	2	10	1	1/2	23
2 3/4	2 1/2	2 1/2	31.25	26.00	205	2	2	2	10	1	3/4	34

Working pressures shown for the hose and braid are based on an operating temperature of 70°F (21°C) with a 5:1 safety factor.

Assemblies are provided cleaned and capped for use in refrigeration systems. Assemblies are not to be used with ammonia refrigerants.

Suitable for the following refrigerants: R12, R22, R23, R32, R125, R134A, R401A, R401B, R402A, R402B, R404A, R407A, R408A, R409A, R410A, R410B, R412A, R452B, R454A, R454B, R454C, R457A, R502, R507, R508, R509 and R1234-yf

UL Listed file #SA44797 for USA & Canada

PROJECT	
CUSTOMER	
ENGINEER	
REPRESENTATIVE	
DRAWING #	



4560 Buckley Road • Liverpool, NY USA 13088-2509  
315/437-1611 • Fax 315/437-1903  
www.flexhose.com • 1.877.METAL EJ