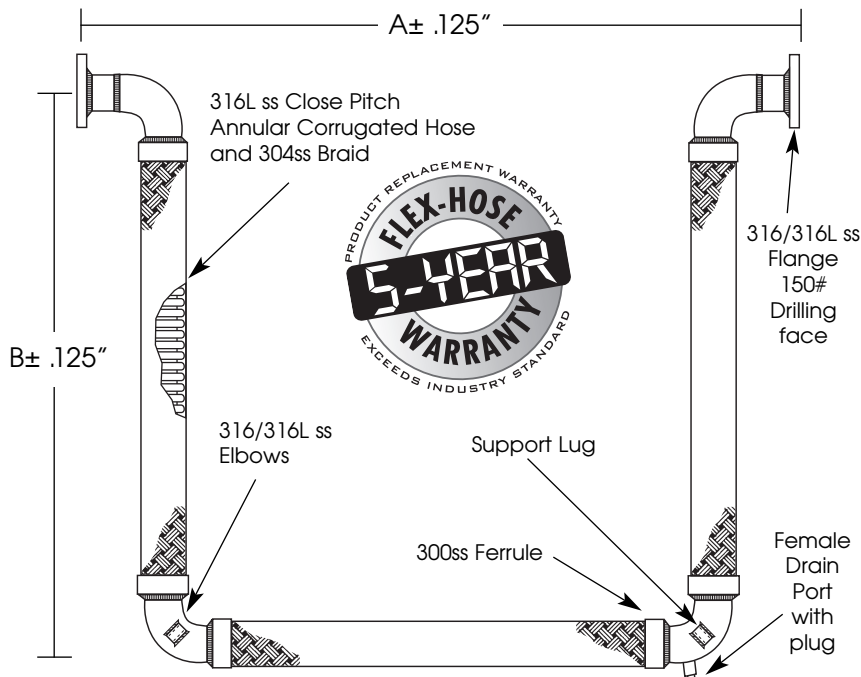
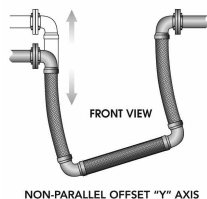
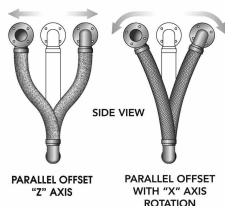
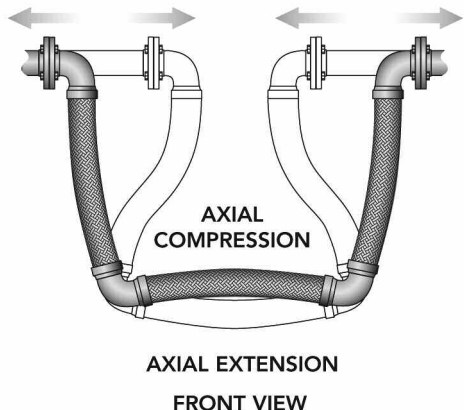


# Tri-Flex Loop® Expansion Loops & Seismic Connectors

## Movement Capabilities



Qty	I.D. (in.)	Dimensions		Pressure (PSI)		Movement Capability					Drain Port (in.)	Wt. (lb.)	Notes
		"A" (in.)	"B" (in.)	@ 70° F	@ 200° F	Compression (in.)	Extension (in.)	Parallel (in.)	Rotation "X" Axis (Deg.)	Non-Parallel "Y" Axis (in.)			
	2.00	37.50	28.25	500	460	4.0	4.0	4.0	20°	2.0	½"	25	
	2.50	41.50	31.00	400	368	4.0	4.0	4.0	20°	2.0	¾"	40	
	3.00	45.75	34.00	285	262	4.0	4.0	4.0	15°	2.0	¾"	51	
	4.00	50.25	40.00	250	230	4.0	4.0	4.0	10°	2.0	¾"	85	
	5.00	63.75	51.00	200	184	4.0	4.0	4.0	10°	2.0	¾"	137	
	6.00	69.50	54.25	220	202	4.0	4.0	4.0	5°	2.0	¾"	189	
	8.00	83.50	63.25	200	184	4.0	4.0	4.0	5°	2.0	¾"	344	
	10.00	99.50	74.38	200	184	4.0	4.0	4.0	5°	2.0	¾"	570	
	12.00	114.50	84.38	160	147	4.0	4.0	4.0	3°	2.0	¾"	832	

Working pressures shown for the hose and braid are based on an operating temperature of 70°F (21°C) with a 4:1 safety factor.



This product is listed by IAPMO R&T under file #N-7208 for NSF/ANSI 61 and file 7207 for California Lead Plumbing Law and NSF/ANSI-372. Our listed products can be viewed on IAPMO R&T's Web listing at <http://pld.iapmo.org>



CSA standard B-51 certified. Inspected and tested by the Technical Standards and Safety Authority of Canada.



APPROVED

For Fire Protection Systems

PROJECT	
CUSTOMER	
ENGINEER	
REPRESENTATIVE	
DRAWING #	



4560 Buckley Road • Liverpool, NY USA 13088-2509  
315/437-1611 • Fax 315/437-1903  
[www.flexhose.com](http://www.flexhose.com) • 1.877.TRI FLEX